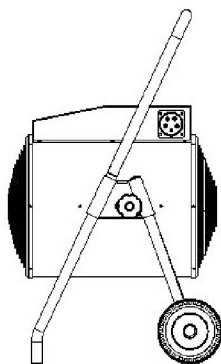


FANMASTER

PORTABLE ELECTRIC SPACE HEATER

INSTRUCTION MANUAL



MODEL: PESH15

INDUSTRIAL USE ONLY



**TO PREVENT SERIOUS INJURY, READ
AND UNDERSTAND ALL WARNINGS
AND INSTRUCTIONS BEFORE USE.**

SAFETY INSTRUCTIONS

Warning: In order to avoid overheating, do not cover the heater.

- 1) Check the mains voltage corresponds with the rating of the appliance before operation.
- 2) Under 15 years old children、 psychopath、 lack of experience persons do not operate or use this heater; do not use the heater if it is damaged.
- 3) Do not place the heater directly under an electrical source socket.
- 4) The heater is not suitable for use outdoors in damp weather, in bathrooms or in other wet or damp environments.
- 5) It cannot be placed near moveable cars or possible tumbling environment.
- 6) It should be unplugged and appropriately stored when not in use for short or long periods.
- 7) Do not cover the fan heater, air circulation is required, don't place in the corner.
- 8) The fan heater must not be placed in rooms where flammable liquids or gases are used or stored.
- 9) Do not use the socket with other appliances; Cable should be away from outlet.
- 10) Do not use it together with a program controller、 timer or other auto on/off equipment.
- 11) Do not open, repair or service the heater by yourself; if heater is damaged contact manufacturer or a qualified technician.
- 12) Do not discard when heater can't use, it should dispatch to recycle bin.

1. Product description:

This product is a fan-type electric heater, room heating is achieved through fan forced cooling, this product can only be used in industrial applications. A built-in physical expansion type thermostat and self-reset overheat thermal cut-out adjust the temperature and provide protection. At an ambient temperature of 0 °, the temperature can be adjusted in a range of 0-70 °C to control the air inlet temperature; the self-reset thermal cut-out controls the appliance body temperature, so that to avoid overheating caused by incorrect operation and provide the user a safe and secure product. The cooling fan is not controlled by thermostat and still works when the heating element has turned-off. The Product can be adjusted upwards with an angle up to 20-degree, it's user-friendly for heating with different air-outlet angles.

Please save this instruction manual for future reference.

2. Technical specifications

Voltage/frequency: 400V ~415V 50Hz

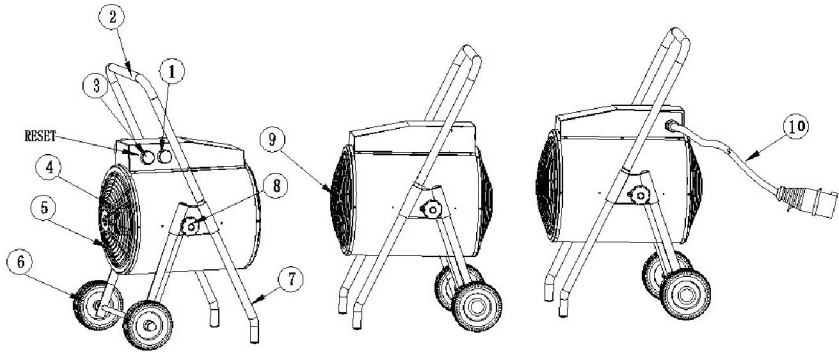
Power rating: 15KW

Settings: fan only, 5KW, 10KW, 15Kw

Dimension: 560X456X526 MM

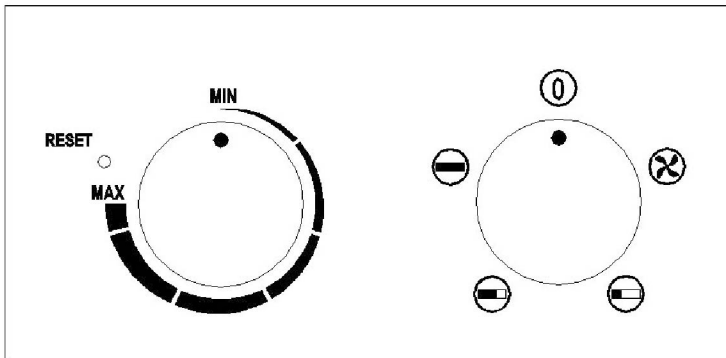
Weight: 20kg

3. Product description and operation:



- 1) Switch knob
- 2) handle
- 3) thermostat knob
- 4) motor
- 5) rear cover
- 6) wheels
- 7) steel frame
- 8) adjustment knob
- 9) front cover
- 10) Power cord

Control Panel



The rotary switch has 4 settings and 5 positions, OFF, first setting is the fan only, the second setting is 5KW heating power, the third setting is 10KW and the fourth setting is the highest at 15KW.

0~70°C adjustable thermostat to control the room temperature, the thermostat button can be turned from 0 to 270 degree.

THERMOSTAT INSTRUCTIONS

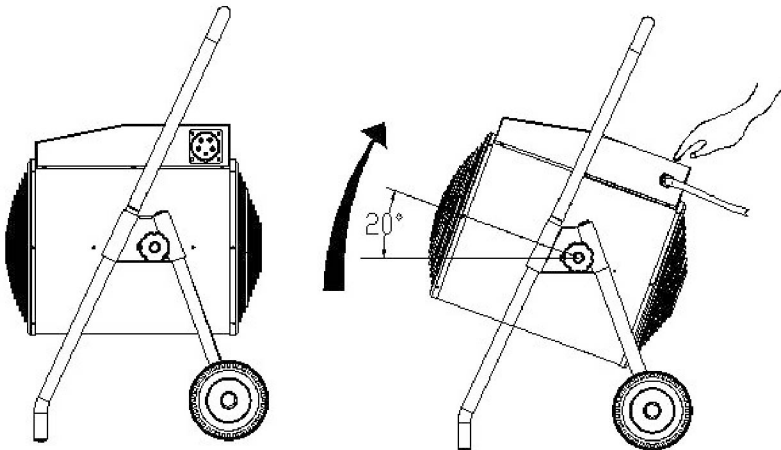
At first turn the thermostat to “Max” and let the heater operate with full power input. When the room temperature reaches the required value, turn the thermostat to left until it switches off.

The thermostat will then switch on and off automatically to control the room temperature according to the pre-set value and keep the room temperature constant.

When using the heater for the first time, you may notice a slight emission of smoke. This is quite normal and it stops after a short time. The heating element is made of steel and was coated with a layer of oil protection during production. The smoke is caused by the left oil when heated.

After the use turn the thermostat to OFF position and turn the selector switch to Fan setting, let the appliance cool down for two minutes. For appliances with time delay stopping function, even the power switch is off, the delay circuit may turn on the appliance if the inner temperature has reached the pre-set function value. The delay time depends on the ambient temperature. For 20 °C ambient it is ca. 3-4 minutes. If the ambient temperature continuous to be more than 27°C the delay device can not cool down, the delay time may vary and take longer or the delay circuit doesn't open, hereby the user can only disconnect the appliance from the power supply by pulling out the plug (ensure you the product has cooled down enough).

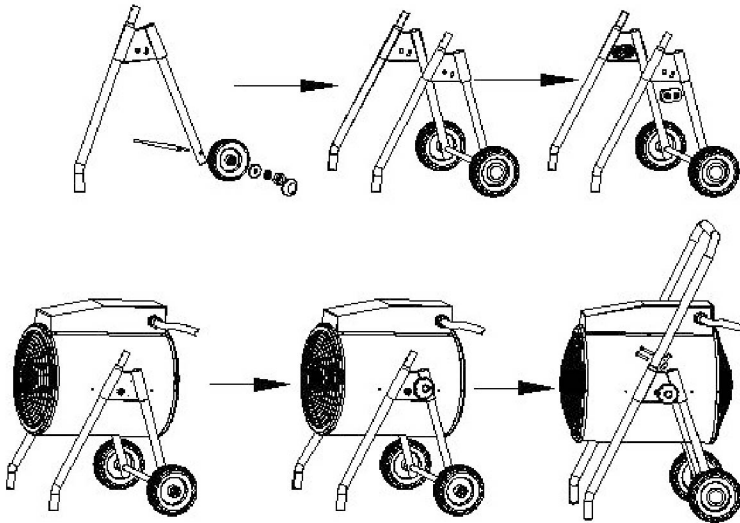
4. Angle adjustment description:



During the operation the user can increase the air out-let angle; the biggest adjustment is 20 degrees. Firstly tighten the adjustment knob at both ends of the steel-pipe rack then gently press the tail top of the product with hand, the heater will tilt. Adjust the hot air direction to the required angle, now the heater blows hot air

up, if the user needs the direction of air to be horizontal blown out, gently press the control box top at the front part of product.(caution do not touch or stand in front of the heater when in operation)

Installation case Illustrate:



1. Set truckle on axle $\varnothing 8$ fixed plate、 $\varnothing 8$ spring washer、M8 nut、truckle cover
2. Tighten the M8 nut and pack the truckle cover
3. Second truckle is same as upwards
4. Use Knob intensify plate and pack case
5. Use M8X43.5 Screw fit on case
6. Tighten the M8X43.5 screw
7. Second M8X43.5 screw is same upwards
8. Use adjustment knob fit on case
9. Tighten the adjustment knob
10. Second adjustment knob is same as upwards
11. Use four M4X32 screw and M4 Nut fit on handle
12. Tighten the M4 nut

Cleaning and maintenance

Before cleaning the appliance, disconnect it from the socket and let it cool down.

The enclosure is easily to get dirty, wipe it often with soft sponge. For very dirty parts, wipe with a sponge

dipped in $< 50^{\circ}\text{C}$ water and mild detergent, then dry the heater enclosure with clean cloth. Be careful not to let

the water enter the appliance inner.

Don't splash water onto the heater, never use solvent like gasoline, isoamyl acetate, toluene etc to clean the heater, in order to protect the enclosure.

Clean the coupler, dry and pack it in a plastic bag.

When you store the heater, let it cool down first, keep it dry. Then cover it with a plastic bag, put in the packing box and store it in a dry, ventilated place.

Warranty Information

The manufacturer provides warranty in accordance with the legislation of the customer's own country of residence, with a minimum of 1 year.

The warranty only covers defects in material or workmanship.

The repairs under warranty may only be carried out by an authorized service centre. When making a claim under the warranty, the original bill of purchase (with purchase date) must be submitted.

The warranty will not apply in cases of:

- Normal wear and tear
- Incorrect use, e.g. overloading of the appliance, use of non-approved accessories
- Use of force, damage caused by external influences
- Damage caused by non-observance of the user manual, e.g. connection to an unsuitable mains supply or non-compliance with the installation instructions
- Partially or completely dismantled appliances

Correct Disposal of this product



This marking indicates that this product should not be disposed with other household wastes throughout the EU. To prevent possible harm to the environment or human health from uncontrolled waste disposal, recycle it responsibly to promote the sustainable reuse of material resources. To **return your used device**, please use the return and collection systems or contact the retailer where the product was purchased. They can take this product for environmental safe recycling.

