

WARRANTY TERMS

Any claim under this warranty must be made within 12 months of the date of purchase of the product. To make a claim under the warranty, take the product (with proof of purchase) to the store where you purchased the product or contact Fanmaster Pty Ltd.

Fanmaster Pty Ltd will pay your reasonable, direct expenses of claiming under this warranty. You may submit details and proof of your expense claim to Fanmaster Pty Ltd for consideration.

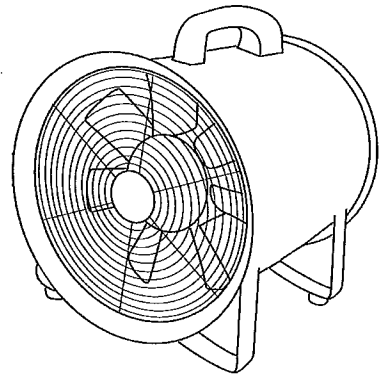
This warranty is given by Fanmaster Pty Ltd
ABN: 45 353 934 457
Unit 1/6-8 Yalgar Rd, KIRRAWEE NSW 2232
P: 02 9524 9999
E: info@fanmaster.com.au

This warranty is provided in addition to other rights and remedies you have under law: Our goods come with guarantees which cannot be excluded under the Australian Consumer Law. You are entitled to replacement or refund for a major failure and to compensation for other reasonably foreseeable loss or damage. You are also entitled to have the goods repaired or replaced if the goods fail to be of acceptable quality and the failure does not amount to a major failure.

MASTERFAN PORTABLE VENTILATOR FAN

INSTRUCTION MANUAL

MODEL NO: MPV300



**TO PREVENT SERIOUS INJURY, READ
AND UNDERSTAND ALL WARNINGS
AND INSTRUCTIONS BEFORE USE.**

SAFETY INSTRUCTIONS

Always operate the product from a power source of the same voltage, frequency and rating as indicated on the product identification plate.

To reduce the risk of electric shock, do not use this fan with any solid state speed control device.

This appliance is not intended for use by persons (including children) with reduced physical, sensory or mental capabilities, or lack of experience and knowledge, unless they have been given supervision or instruction concerning use of the appliance by a person responsible for their safety.

Do not insert fingers or any other foreign object through the front and rear guard and into the blade.

Close supervision is necessary when any product is used by or near children or infirm persons. Do not allow children to use it as a toy.

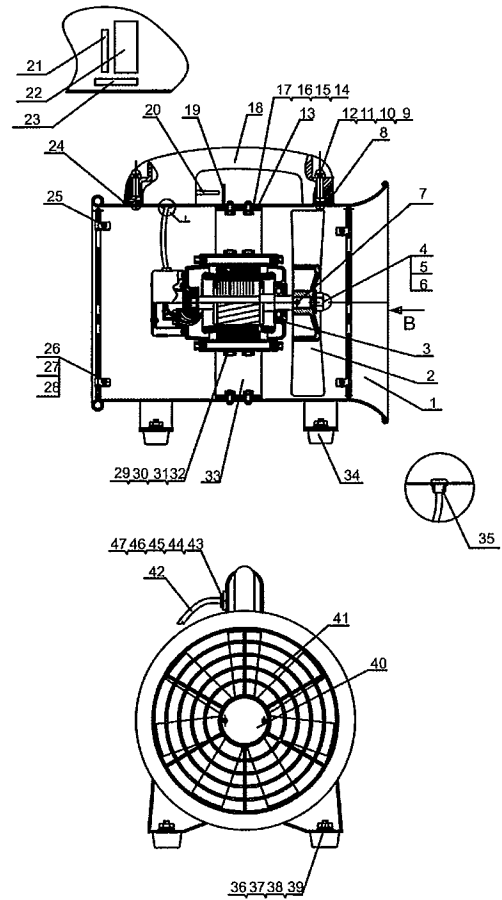
Do not operate any product with a damaged cord or plug, after the product malfunctions, is dropped or appears damaged in any way. Return the complete product to the place of purchase for inspection, repair or replacement.

To reduce the risk of electric shock, do not immerse or expose the product or flexible cord to rain, moisture or any liquid.

This product should not be used in the immediate vicinity of water, such as sinks, bathtub, washbowls, swimming pool etc. where the likelihood of immersion or splashing could occur.

Switch off and unplug from outlet when not in use, before assembling or disassembling parts and before cleaning. Fully assemble the fan before switching on.

Avoid contacting moving parts. Do not insert any object through the grill when the fan is operating.



No.	Code	Name	Qty	Specification/material	Remarks
1	SHT-30-020-010-000	Cylinder	1	Ø = 1, 2/A3Cold plate	Spray
2	SHT-30-030-000-000	Fan blade	1	Cast aluminium	Spraying/soak vibration
3	SHT-30-010-000-020	Motor assembly	1		
4	GB95-85	Washer	1	Ø14	Color zinc plating
5	GB593-85	Spring washer	1	Ø14	Color zinc plating
6	GB802-76	Combined cap nut	1	M14	Color zinc plating
7		Cross pin	1	Ø5x25/A3Coating element	
8	SHT-30-020-060-040	Plastic handle small blocks	1	Rubber	
9	GB95-85	Washer	2	Ø6	Color zinc plating
10	GB593-87	Spring washer	2	Ø6	Color zinc plating
11	GB67-85	Cross recessed pan head screws	2	M6X40	Color zinc plating
12	GB802-76	Combined cap nut	2	M6	Color zinc plating
13	SHT-30-020-050-000	Motor bracket rubber pad	4	Rubber	
14	GB67-85	Cross recessed pan head screws	8	M5X12	Color zinc plating
15	GB95-85	Washer	8	Ø5	Color zinc plating
16	GB593-87	Spring washer	8	Ø5	Color zinc plating
17	GB41-86	Six corner	8	M5	Color zinc plating
18	SHT-30-020-060-010	SHT plastic handle	1	(Ø6Years of edition)	
19	SHT-30-020-060-050	Switch plate	1	Ø = 1, 5/A3	Electroplating zinc white
20		Button switch	1	HY29E	
21	SHT-30-050-030-000	Direction sign	1	Stickers	
22	SHT-30-050-010-000	Nameplate	1	Stickers	
23	SHT-30-050-030-000	Turning marking	1	Stickers	
24	SHT-30-020-060-030	Plastic handle large cushion block	1	Rubber	
25	SHT-30-040-010-010	Network board	8	Ø = 1, 5mm/Cold plate	Electroplating zinc white
26	GB95-85	Washer	8	Ø5	Color zinc plating
27	GB593-87	Spring washer	8	Ø5	Color zinc plating
28	GB67-85	Cross recessed pan head screws	8	M5X10	Color zinc plating
29	GB37-88	T slot bolt	8	M6X20	Color zinc plating
30	GB95-85	Washer	8	Ø6	Color zinc plating
31	GB593-87	Spring washer	8	Ø6	Color zinc plating
32	GB41-86	Six corner	8	M6	Color zinc plating
33	SHT-30-020-040-000	Motor bracket	4	Ø = 2mm/A3Cold plate	Spray
34	SHT-30-020-030-000	The Ottomans	4	Rubber	
35		Line deduction	1	ABS	
36	GB67-85	Cross recessed pan head screws	4	M6X20	Color zinc plating
37	GB95-85	Washer	4	Ø6	Color zinc plating
38	GB593-87	Spring washer	4	Ø6	Color zinc plating
39	GB41-86	Six corner	4	M6	Color zinc plating
40	SHT-30-050-020-000	Net label	2	Aluminium plate	
41	SHT-30-041-010-000	Safety net	2	A3Cold/cool plate	Plating/coating
42		Power cord	1	RVV 2X0.75+0.75mm	
43	SHT-30-020-060-060	Protective cover plate	1	Ø = 1, 5mm/A3Cold plate	Electroplating zinc white
44	GB67-85	Cross recessed pan head screws	2	M4X15	Color zinc plating
45	GB95-85	Washer	2	Ø4	Color zinc plating
46	GB593-87	Spring washer	2	Ø4	Color zinc plating
47	GB41-86	Six corner	2	M4	Color zinc plating

Do not cover the grill, or operate in close proximity to curtains, etc.

Always disconnect the fan when moving it from one location to another.

The use of attachments or accessories not recommended or sold by the product distributor may cause personal or property hazards or injuries.

Never attempt to make any modifications to or repair the product yourself. Have it repaired by a qualified person only.

Place the appliance on a flat and dry surface.

Manufacturer takes no responsibility for any damage caused by incorrect use.

Precautions must be taken to avoid the back-flow of gases into the room from the open flue of gas or other fuel-burning appliances.

ENVIRONMENT OF USE

- 1) The max relative humidity is 90%(when in 25°C);
- 2) Below 1000 meters altitude.

USE AND MAINTAIN

- 1) Make sure the ventilator's voltage in accordance with local voltage before use.
- 2) Ventilator is recommended for use in ordinary indoor situation, but not at high humidity.
- 3) To ensure prolonged safe use ensure you have this unit inspected, cleaned & moving parts lubricated by a qualified person after every 1000 hours of use.
- 4) Regularly inspect the cord & plug & do not use if damaged. A licenced electrician is required to repair or replace the cord & plug.
- 5) Any other repairs or maintenance must be performed by a qualified person.

NOTE

- 1) The ventilator must be used indoor.
- 2) Close supervision is necessary when any product is used by or near children or infirm persons.
- 3) Cut off the power before cleaning.

WARNING

- 1) Do not use in flammable or explosive environment to prevent fire hazard and personal injury.
- 2) Precautions must be taken to avoid the back-flow of gases into the room from open flue of gas or other fuel-burning appliances.
- 3) The ventilator must be earthed, avoid any danger

SPECIFICATIONS

Model No.	mm	Voltage	Hz	Watts	r/m	l/s.	Pa	dB(A)
MPV300	300	220-240	50/60				373	68

VENTILATION DUCTING

Ventilation ducting is also available to suit the MPV300 which is sold separately.

Part No: IFD300 300mm ducting x 5m to suit MPV300.