



FANMASTER

COOLING HEATING VENTILATION EXTRACTION

INSTRUCTION MANUAL



ELECTRIC PEDESTAL/WALL RADIANT HEATER

MODEL: PERH2400

FOR INDUSTRIAL USE ONLY

TO PREVENT SERIOUS INJURY, READ & UNDERSTAND ALL WARNINGS & INSTRUCTIONS BEFORE USE. PLEASE KEEP THIS DOCUMENT FOR YOUR RECORDS

FOR YOUR INFORMATION

Thank you for purchasing a Fanmaster electric radiant heater. Please read this instruction manual carefully before using this heater.

Disclaimer:

Fanmaster reserves the right to make alterations to specifications, quantities, dimensions, for production or other reasons, subsequent to publication.

While we believe the information is accurate and complete, we make no warranty or representation for any particular purposes. The information is offered in good faith and with the understanding that any use of the units or accessories in breach of the directions and warnings in this document is at the sole discretion and risk of the user.

Disposal Guidelines:

Do not dispose of this product with general household waste. This product must be disposed according to the laws governing Waste Electrical and Electronic Equipment. If required, contact your local authorities for information regarding the available disposal facilities.



1. GENERAL SAFETY RULES & WARNINGS



- PLEASE READ INSTRUCTIONS CAREFULLY.
- PLACE INSTRUCTION MANUAL IN A SAFE PLACE FOR FUTURE REFERENCE. DO NOT ALLOW ANYONE WHO HAS NOT READ THESE INSTRUCTIONS TO ASSEMBLE, ADJUST OR OPERATE THIS HEATER.
- IF THE INFORMATION IN THIS MANUAL IS NOT FOLLOWED EXACTLY, A FIRE OR EXPLOSION MAY RESULT IN CAUSING PROPERTY DAMAGE, SERIOUS INJURY OR LOSS OF LIFE.
- FAILURE TO COMPLY WITH THE PRECAUTIONS AND INSTRUCTIONS PROVIDED WITH THIS HEATER, CAN RESULT IN DEATH, SERIOUS INJURY AND PROPERTY LOSS OR DAMAGE FROM HAZARDS OF FIRE, EXPLOSION, BURN, AND/OR ELECTRICAL SHOCK.
- ONLY PERSONS WHO CAN UNDERSTAND AND FOLLOW THE INSTRUCTIONS SHOULD USE OR SERVICE THIS HEATER. IF YOU NEED ASSISTANCE OR REQUIRE HEATER INFORMATION SUCH AS AN INSTRUCTION MANUAL, LABELS, ETC. CONTACT FANMASTER.
- DO NOT STORE OR USE GASOLINE, PETROL OR ANY OTHER FLAMMABLE OR COMBUSTIBLE VAPORS AND LIQUIDS IN THE VICINITY OF THIS HEATER.
- FIRE, BURN, INHALATION, AND EXPLOSION HAZARD. KEEP SOLID COMBUSTIBLES, SUCH AS BUILDING MATERIALS, PAPER OR CARDBOARD, A SAFE DISTANCE AWAY FROM THE HEATER AS RECOMMENDED BY THE INSTRUCTIONS. NEVER USE THE HEATER IN SPACES WHICH DO OR MAY CONTAIN VOLATILE OR AIRBORNE COMBUSTIBLES, OR PRODUCTS SUCH AS GASOLINE, SOLVENTS, PAINT THINNER, DUST PARTICLES OR UNKNOWN CHEMICALS
- NOT FOR DOMESTIC OR RECREATIONAL VEHICLE USE
- THE ELECTRICAL SYSTEM TO WHICH THE APPLIANCE IS CONNECTED MUST COMPLY WITH LOCAL REGULATIONS. A RESIDUAL-CURRENT DEVICE (RCD) MUST BE INSTALLED.
- UNPLUG THE APPLIANCE BEFORE PERFORMING ANY MAINTENANCE OPERATIONS.
- ALWAYS CHECK THE POWER CABLE BEFORE USING THE APPLIANCE. IT MUST NOT BE BENT, TAUT, STRETCHED, CRUSHED OR ANY WAY DAMAGED.
- IF THE POWER CORD AND/OR PLUG IS DAMAGED, IT MUST BE REPLACED BY FANMASTER, A SERVICE AGENT OR A QUALIFIED PERSONS.
- DO NOT COVER THE FAN HEATER
- THE FRONT OUTLET IS VERY HOT DURING OPERATION. DO NOT TOUCH! BURN DANGER.
- DO NOT LEAVE THE HEATER UNATTENDED WHEN IN USE.
- NEVER USE THE HEATER WITH WET HANDS OR WHEN EITHER THE HEATER OR THE POWER CABLE IS WET.
- CHILDREN SHOULD BE SUPERVISED TO ENSURE THAT THEY DO NOT PLAY WITH THE HEATER.
- THE HEATER IS NOT INTENDED FOR USE BY PERSONS (INCLUDING CHILDREN) WITH REDUCED PHYSICAL, SENSORY OR MENTAL CAPABILITIES, OR LACK OF EXPERIENCE & KNOWLEDGE.

2. PRODUCT DESCRIPTION & SPECIFICATIONS

PRODUCT DESCRIPTION

Industrial electric pedestal or wall radiant heater.

SPECIFICATIONS

MODEL	PERH2400
Heat Output	2400 W 6,824 BTU
Element Type	Quartz Lamp
Control settings	1 x Heat settings Adjustable thermostat
Settings (W)	2400
Voltage (V/Hz)	240V/50
Current Rating (A)	10
Net Weight (kg)	3.6 / 3.3
Dimensions (mm)	HEAD: 910(L)*245(W)*325(H) PED: 1090(L)*125(W)*220(H)

Replacement element: SP-PERH-ELEMENT

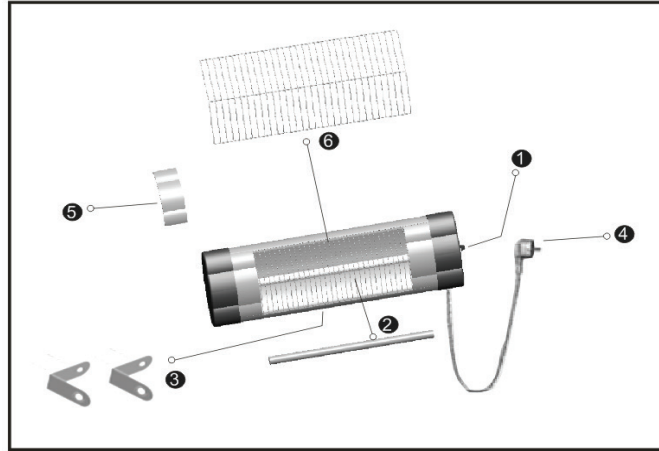
SAFETY DEVICES

This heater has the following protection devices:

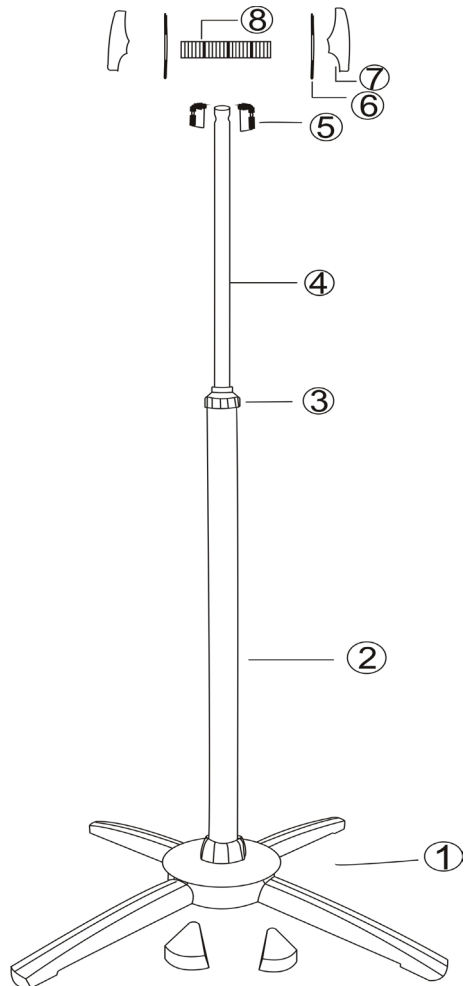
- **Tilt Switch** - this will automatically turn the heater off if it is not in the appropriate operating position, fallen over on its front or side.
- **Self-Resetting Thermostat** - this will automatically disconnect the power to the heater at a pre-set overheat temperature.

3. GETTING TO KNOW YOUR HEATER

1	SWITCH
2	HEATING ELEMENT
3	BRACKET
4	CABLE
5	SAFETY BAR
6	COVER/GRILLE



1	BASE
2	LOWER TUBE
3	ADJUSTMENT HEIGHT KNOB
4	TOP TUBE
5	FIXED SLEEVES/ ADJUSTMENT ANGLE KNOBS
6	SPACER
7	LOCATED BUTTON
8	FIXED AXLE PIN

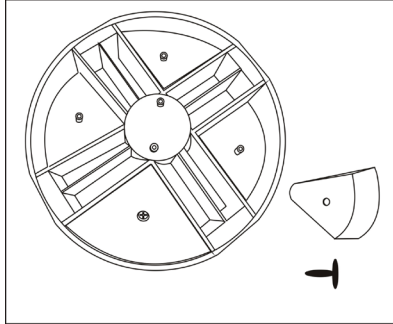


4. ASSEMBLING & OPERATING INSTRUCTIONS

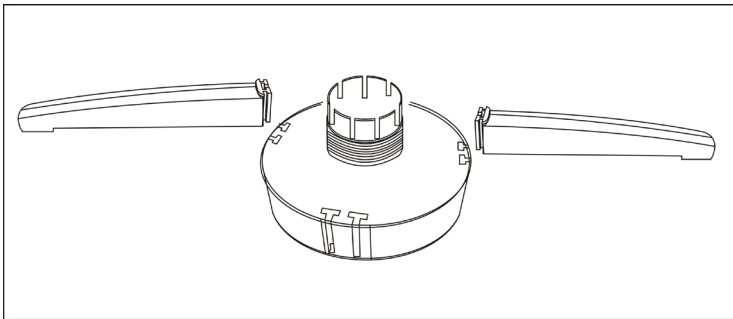
Remove the heater from the carton. If the heater is damaged, please contact Fanmaster or where you purchased the heater from.

How to assemble Pedestal stand

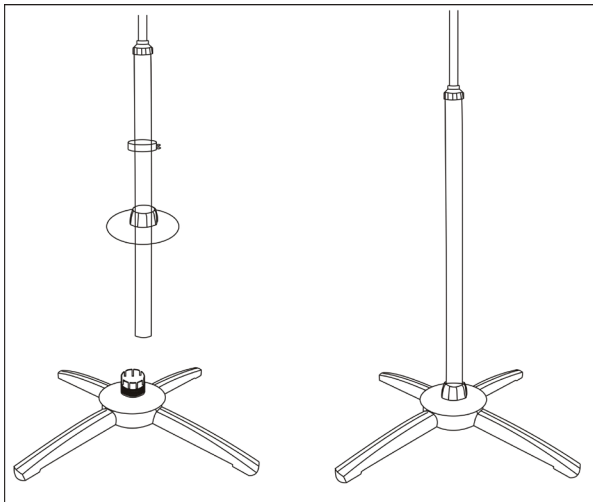
1. Using 4 x 20F head screws, fix the balance weights to the bottom of the base.



2. Fix the 4 legs into the slots

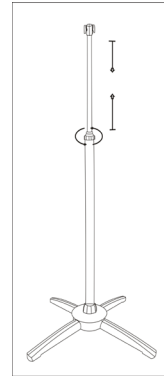


3. Slide the cable clip & stand base cover on to the lower tube, then connect the lower tube on to the base (feet).

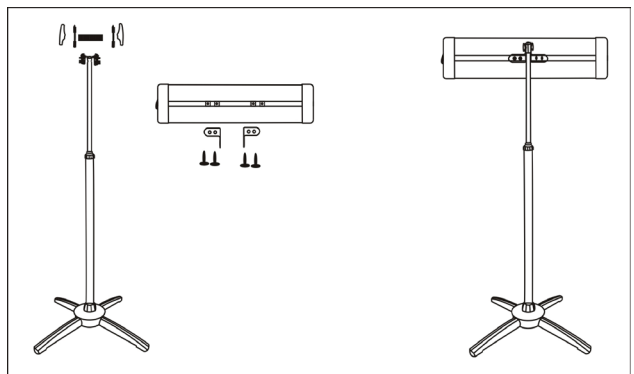
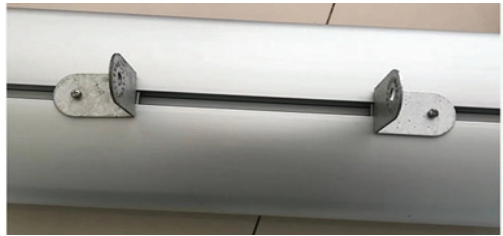


4. ASSEMBLING & OPERATING INSTRUCTIONS

4. Adjust the height as required by tightening the plastic collar (110cm to 180cm)



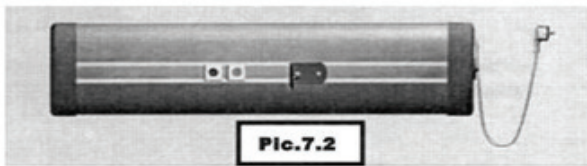
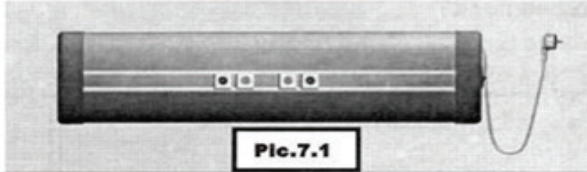
5. (1) Loosen the screws on the back of the heater head.
(2) Fix brackets to the back of the heater head.
(3) Loosen the knobs (5)
(4) Attached brackets to knob
(5) Tighten adjustment knob and screws.



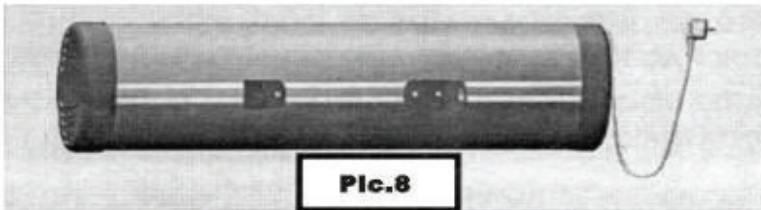
4. ASSEMBLING & OPERATING INSTRUCTIONS

Wall Mount installation:

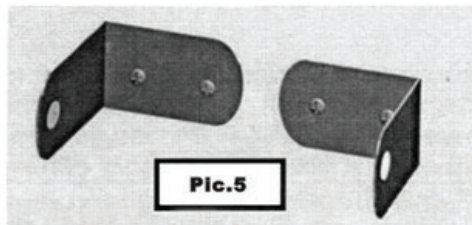
1. There are 4 brackets & fasteners used with the heater. Furthermore, in the channel on the backside of the heater, there are 4 square fastener washers 25x25mm. Relieve the square washers (Fig 7.1) and fasten 2 brackets to the channel on the backside of the heater with the screws (Fig 7.2)



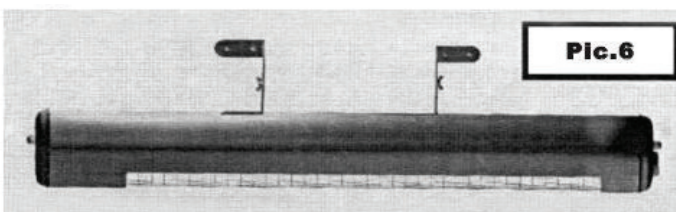
2. Fasten the brackets at the appropriate distance of each other (45-55cm).



3. The remaining two other brackets are fixed to the wall with the suitable fixings (fixings not supplied) at the appropriate distance. (At least 1.8m from the floor & at least 0.5m from the ceiling)



4. Join the brackets on the heater to the heaters fixed to the wall with the screw nuts. Install the heater at the required angle



4. ASSEMBLING & OPERATING INSTRUCTIONS

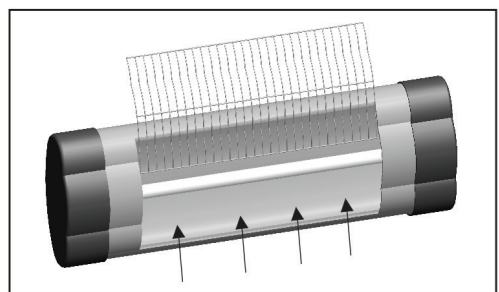
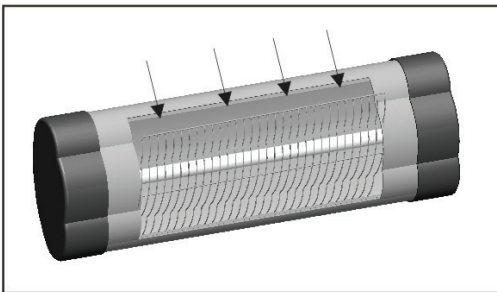
- Position the heater so it stands upright & is on a firm surface (when used as a pedestal) and at a safe distance from wet environments and flammable objects.
- Connect the plug to the relevant power source.
- Set the thermostat knob to the **MAX** & let the heater operate on full power for 2 minutes then adjust accordingly.
- DO NOT TURN THE HEATER OFF FROM THE POWER SOURCE

5. CLEANING, MAINTENANCE & STORAGE

- Before starting any maintenance task, shut down, unplug and let the heater cool down for at least 15 minutes.
- Do not attempt any electrical repair yourself. If the heater needs service or repair, contact a qualified persons.
- When cleaning, make sure that water does not enter the unit.
- Do not open the enclosure to clean the inner parts. Do not spray water into the heater.
- Never use solvents, gasoline, toluene and similar aggressive chemicals to clean the heater.

Cleaning the Reflector:

1. Remove the cover/grille



2. Wipe the reflector with a soft cloth, treated by detergent, do not leave any prints of sports on the surface

7. TROUBLESHOOTING

PROBLEM	CAUSE	SOLUTION
The heater does not operate, even when it is plugged in & the switch, thermostat is ON	The plug is loose, bad connection	Disconnect the plug, check the connection of the plug & socket. Try another socket
Element is not glowing	Power or Voltage Surge	Replace Element

8. WARRANTY

Any claim under this warranty must be made within 12 months of the date of purchase of the product. To make a claim under the warranty, take the product (with proof of purchase) to the store where you purchased the product or go to <https://www.fanmaster.com.au/warranty-claims-returns>.

This warranty is given by Fanmaster Pty Ltd
ABN: 45 353 934 457
Unit 1/6-8 Yalgar Rd, KIRRAWEE NSW 2232
P: 1300 900 345
E: warranties@fanmaster.com.au

This warranty is provided in addition to other rights and remedies you have under law: Our goods come with guarantees which cannot be excluded under the Australian Consumer Law. You are entitled to replacement or refund for a major failure and to compensation for other reasonably foreseeable loss or damage. You are also entitled to have the goods repaired or replaced if the goods fail to be of acceptable quality and the failure does not amount to a major failure.

Exclusions: This warranty does not cover:

- Any defects caused by an accident, misuse, abuse, improper installation or operation, lack of reasonable care, unauthorized modification, loss of parts, tampering or attempted repair by a person not authorized by the distributor.
- Any product that has not been installed, operated or maintained to a satisfactory level.
- Any damage caused by improper power input or improper cable connection.



Fanmaster Pty Ltd | 1/6-8 Yalgar Road, KIRRAWEE NSW 2232
1300 900 345 | sales@fanmaster.com.au | www.fanmaster.com.au



N11664
MADE IN CHINA