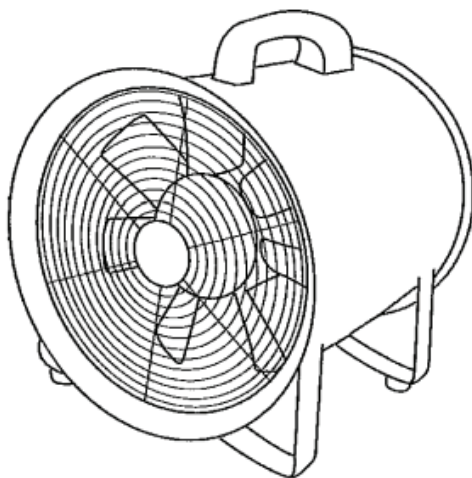




FANMASTER

COOLING HEATING VENTILATION EXTRACTION

INSTRUCTION MANUAL



MASTERFAN

PORTABLE VENTILATOR

MODEL: MPV300

1 YEAR WARRANTY

TO PREVENT SERIOUS INJURY, READ & UNDERSTAND ALL WARNINGS & INSTRUCTIONS BEFORE USE. PLEASE KEEP THIS DOCUMENT FOR YOUR RECORDS

FOR YOUR INFORMATION

Thank you for purchasing a Masterfan Portable Ventilator Fan. Please read this instruction manual carefully before using this appliance.

Disclaimer:

Fanmaster reserves the right to make alterations to specifications, quantities, dimensions, for production or other reasons, subsequent to publication.

While we believe the information is accurate and complete, we make no warranty or representation for any particular purposes. The information is offered in good faith and with the understanding that any use of the units or accessories in breach of the directions and warnings in this document is at the sole discretion and risk of the user

Disposal Guidelines:

Do not dispose of this product with general household waste. This product must be disposed according to the laws governing Waste Electrical and Electronic Equipment. If required, contact your local authorities for information regarding the available disposal facilities.



1. GENERAL SAFETY RULES & WARNINGS



- PLEASE READ INSTRUCTIONS CAREFULLY.
- PLACE INSTRUCTION MANUAL IN A SAFE PLACE FOR FUTURE REFERENCE. DO NOT ALLOW ANYONE WHO HAS NOT READ THESE INSTRUCTIONS TO ASSEMBLE, ADJUST OR OPERATE THIS APPLIANCE.
- IF THE INFORMATION IN THIS MANUAL IS NOT FOLLOWED EXACTLY, A FIRE OR EXPLOSION MAY RESULT IN CAUSING PROPERTY DAMAGE, SERIOUS INJURY OR LOSS OF LIFE.
- FAILURE TO COMPLY WITH THE PRECAUTIONS AND INSTRUCTIONS PROVIDED WITH THIS APPLIANCE, CAN RESULT IN DEATH, SERIOUS INJURY AND PROPERTY LOSS OR DAMAGE FROM HAZARDS OF FIRE, EXPLOSION, BURN, AND/OR ELECTRICAL SHOCK.
- ONLY PERSONS WHO CAN UNDERSTAND AND FOLLOW THE INSTRUCTIONS SHOULD USE OR SERVICE THIS APPLIANCE. IF YOU NEED ASSISTANCE OR REQUIRE INFORMATION SUCH AS AN INSTRUCTION MANUAL, LABELS, ETC. CONTACT FANMASTER.
- DO NOT STORE OR USE GASOLINE, PETROL OR ANY OTHER FLAMMABLE OR COMBUSTIBLE VAPORS AND LIQUIDS IN THE VICINITY OF THIS APPLIANCE.
- FIRE, BURN, INHALATION, AND EXPLOSION HAZARD. KEEP SOLID COMBUSTIBLES, SUCH AS BUILDING MATERIALS, PAPER OR CARDBOARD, A SAFE DISTANCE AWAY FROM THE APPLIANCE. NEVER USE THE APPLIANCE IN SPACES WHICH DO OR MAY CONTAIN VOLATILE OR AIRBORNE COMBUSTIBLES, OR PRODUCTS SUCH AS GASOLINE, SOLVENTS, PAINT THINNER, DUST PARTICLES OR UNKNOWN CHEMICALS.
- THE ELECTRICAL SYSTEM TO WHICH THE APPLIANCE IS CONNECTED MUST COMPLY WITH LOCAL REGULATIONS. A RESIDUAL-CURRENT DEVICE (RCD) MUST BE INSTALLED.
- UNPLUG THE APPLIANCE BEFORE PERFORMING ANY MAINTENANCE OPERATIONS.
- ALWAYS CHECK THE POWER CABLE BEFORE USING THE APPLIANCE. IT MUST NOT BE BENT, TAUT, STRETCHED, CRUSHED OR ANY WAY DAMAGED.
- IF THE POWER CORD AND/OR PLUG IS DAMAGED, IT MUST BE REPLACED BY FANMASTER, A SERVICE AGENT OR A QUALIFIED PERSONS.
- DO NOT COVER THE FAN GUARD OR MOTOR.
- DO NOT LEAVE THE APPLIANCE UNATTENDED WHEN IN USE.
- NEVER USE THE APPLIANCE WHEN EITHER THE APPLIANCE OR THE POWER CABLE IS WET.
- CHILDREN SHOULD BE SUPERVISED TO ENSURE THAT THEY DO NOT PLAY WITH THE APPLIANCE.
- THE APPLIANCE IS NOT INTENDED FOR USE BY PERSONS (INCLUDING CHILDREN) WITH REDUCED PHYSICAL, SENSORY OR MENTAL CAPABILITIES, OR LACK OF EXPERIENCE & KNOWLEDGE.
- DO NOT PUT OBJECTS INTO THE FAN GUARD & BLADE.
- DO NOT CLIMB OR STACK THINGS ON THE APPLIANCE.

2. PRODUCT DESCRIPTION & SPECIFICATIONS

PRODUCT DESCRIPTION

The Masterfan Portable 300mm Ventilator Fan can exhaust or supply air at a rate of 1083L/s. It has a carry handle for ease of portability. Flexible ducting can be attached.

SPECIFICATIONS

MODEL	MPV300
Air Flow (L/s)	1083
Diameter (mm)	300
dBa	<83
Motor (K/W)	0.52
Voltage/Hz	240/50
Plug Connection	3 Pin 10a
Fan Speed	1
Weight	11

VENTILATION DUCTING

Ducting is also available to suit the MPV300.

Part No: IFD300 - 300mm Flexible ducting 5m.

3. OPERATING INSTRUCTIONS

Remove the appliance from the carton. If the appliance is damaged, please contact Fanmaster or where you purchased the appliance from.

Operating Instructions

1. Place the ventilator fan on an even surface.
2. Connect the plug to the relevant power source.
3. The ventilator fan is not suitable in environments that is too moist or corrosive.
4. The ventilator fan has 1 speed.

Environment of Use

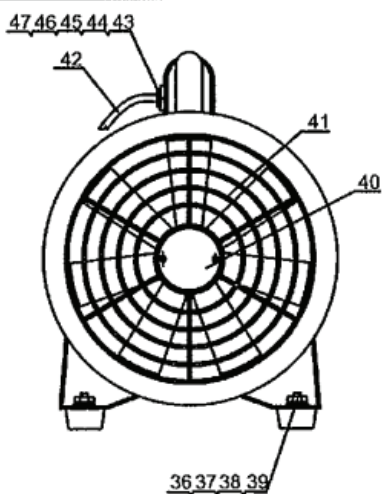
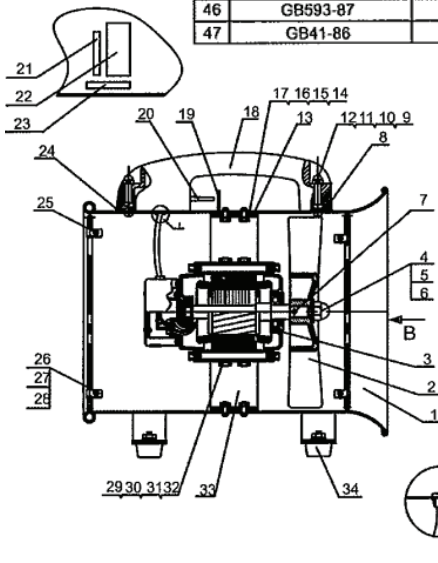
1. The max relative humidity is 90% (when in 25°C).
2. Below 1000 metres altitude.

Maintenance

1. To ensure prolonged safe use ensure you have this unit inspected, cleaned & moving parts lubricated by a qualified person after every 1000 hours of use.
2. Regularly inspect the cord & plug & do not use if damaged. A license electrician is required to repair or replace the cord & plug.
3. Any other repairs or maintenance must be performed by a qualified person.

4. GETTING TO KNOW YOUR FAN

No.	Code	Name	Qty	Specification/material	Remarks
1	SHT-30-020-010-000	Cylinder	1	δ=1.2/A3Cold plate	Spray
2	SHT-30-030-000-000	Fan blade	1	Cast aluminium	Spraying/typical vibration
3	SHT-30-010-000-020	Motor assembly	1		
4	GB95-85	Washer	1	Ø14	Color zinc plating
5	GB593-85	Spring washer	1	Ø14	Color zinc plating
6	GB802-76	Combined cap nut	1	M14	Color zinc plating
7		Cross pin	1	Ø5X2.5/A3Coating element	
8	SHT-30-020-060-040	Plastic handle small blocks	1	Rubber	
9	GB95-85	Washer	2	Ø6	Color zinc plating
10	GB593-87	Spring washer	2	Ø6	Color zinc plating
11	GB67-85	Cross recessed pan head screws	2	M6X40	Color zinc plating
12	GB802-76	Combined cap nut	2	M6	Color zinc plating
13	SHT-30-020-050-000	Motor bracket rubber pad	4	Rubber	
14	GB67-85	Cross recessed pan head screws	8	M5X12	Color zinc plating
15	GB95-85	Washer	8	Ø5	Color zinc plating
16	GB593-87	Spring washer	8	Ø5	Color zinc plating
17	GB41-86	Six corner	8	M5	Color zinc plating
18	SHT-30-020-060-010	SHT plastic handle	1	(Ø6)Years of edition	
19	SHT-30-020-060-050	Switch plate	1	δ=1.5/A3	Electroplating zinc white
20		Button switch	1	HY29E	
21	SHT-30-050-030-000	Direction sign	1	Stickers	
22	SHT-30-050-010-000	Nameplate	1	Stickers	
23	SHT-30-050-030-000	Turning marking	1	Stickers	
24	SHT-30-020-060-030	Plastic handle large cushion block	1	Rubber	
25	SHT-30-040-010-010	Network board	8	δ=1.5mm/Cold plate	Electroplating zinc white
26	GB95-85	Washer	8	Ø5	Color zinc plating
27	GB593-87	Spring washer	8	Ø5	Color zinc plating
28	GB67-85	Cross recessed pan head screws	8	M5X10	Color zinc plating
29	GB37-88	T slot bolt	8	M6X20	Color zinc plating
30	GB95-85	Washer	8	Ø6	Color zinc plating
31	GB593-87	Spring washer	8	Ø6	Color zinc plating
32	GB41-86	Six corner	8	M6	Color zinc plating
33	SHT-30-020-040-000	Motor bracket	4	δ=2mm/A3Cold plate	Spray
34	SHT-30-020-030-000	The Ottomans	4	Rubber	
35		Line deduction	1	ABS	
36	GB67-85	Cross recessed pan head screws	4	M6X20	Color zinc plating
37	GB95-85	Washer	4	Ø6	Color zinc plating
38	GB593-87	Spring washer	4	Ø6	Color zinc plating
39	GB41-86	Six corner	4	M6	Color zinc plating
40	SHT-30-050-020-000	Net label	2	Aluminium plate	
41	SHT-30-041-010-000	Safety net	2	A3Cool/coold plate	Plating/coosing
42		Power cord	1	RVV 2X0.75+0.75mm	
43	SHT-30-020-060-060	Protective cover plate	1	δ=1.5mm/A3Cold plate	Electroplating zinc white
44	GB67-85	Cross recessed pan head screws	2	M4X15	Color zinc plating
45	GB95-85	Washer	2	Ø4	Color zinc plating
46	GB593-87	Spring washer	2	Ø4	Color zinc plating
47	GB41-86	Six corner	2	M4	Color zinc plating



5. WARRANTY

Any claim under this warranty must be made within 12 months of the date of purchase of the product. To make a claim under the warranty, take the product (with proof of purchase) to the store where you purchased the product or go to <https://www.fanmaster.com.au/support>.

This warranty is given by Fanmaster Pty Ltd
ABN: 45 353 934 457
Unit 1/6-8 Yalgar Rd, KIRRAWEE NSW 2232
P: 1300 900 345
E: support@fanmaster.com.au

This warranty is provided in addition to other rights and remedies you have under law: Our goods come with guarantees which cannot be excluded under the Australian Consumer Law. You are entitled to replacement or refund for a major failure and to compensation for other reasonably foreseeable loss or damage. You are also entitled to have the goods repaired or replaced if the goods fail to be of acceptable quality and the failure does not amount to a major failure.

Exclusions: This warranty does not cover:

- Any defects caused by an accident, misuse, abuse, improper installation or operation, lack of reasonable care, unauthorized modification, loss of parts, tampering or attempted repair by a person not authorized by the distributor.
- Any product that has not been installed, operated or maintained to a satisfactory level.
- Any damage caused by improper power input or improper cable connection.

6. WARRANTY VALIDATION

Register Your Product

> **Warranty Management**

Validate your warranty, and receive notification 14 days prior to expiration.

> **Warranty Extension Available**

Add extended warranty to give you peace of mind.

> **Product Updates**

Latest news and updates on Fanmaster products.



REGISTER

www.fanmaster.com.au/warranty-registration



Fanmaster Pty Ltd | 1/6-8 Yalgar Road, KIRRAWEE NSW 2232
1300 900 345 | sales@fanmaster.com.au | www.fanmaster.com.au



N11664
MADE IN CHINA