



# **FANMASTER**

**COOLING HEATING VENTILATION EXTRACTION**

## **INSTRUCTION MANUAL**



### **ELECTRIC QUARTZ RADIANT HEATER**

**MODEL:**

**ICH2P (PEDESTAL)**

**ICH2W (WALL)**

**FOR INDUSTRIAL USE ONLY**

**TO PREVENT SERIOUS INJURY, READ & UNDERSTAND ALL WARNINGS & INSTRUCTIONS BEFORE USE. PLEASE KEEP THIS DOCUMENT FOR YOUR RECORDS**

# FOR YOUR INFORMATION

Thank you for purchasing a Fanmaster electric radiant heater. Please read this instruction manual carefully before using this heater.

## **Disclaimer:**

Fanmaster reserves the right to make alterations to specifications, quantities, dimensions, for production or other reasons, subsequent to publication.

While we believe the information is accurate and complete, we make no warranty or representation for any particular purposes. The information is offered in good faith and with the understanding that any use of the units or accessories in breach of the directions and warnings in this document is at the sole discretion and risk of the user.

## **Disposal Guidelines:**

Do not dispose of this product with general household waste. This product must be disposed according to the laws governing Waste Electrical and Electronic Equipment. If required, contact your local authorities for information regarding the available disposal facilities.



# 1. GENERAL SAFETY RULES & WARNINGS



- PLEASE READ INSTRUCTIONS CAREFULLY.
- PLACE INSTRUCTION MANUAL IN A SAFE PLACE FOR FUTURE REFERENCE. DO NOT ALLOW ANYONE WHO HAS NOT READ THESE INSTRUCTIONS TO ASSEMBLE, ADJUST OR OPERATE THIS HEATER.
- IF THE INFORMATION IN THIS MANUAL IS NOT FOLLOWED EXACTLY, A FIRE OR EXPLOSION MAY RESULT IN CAUSING PROPERTY DAMAGE, SERIOUS INJURY OR LOSS OF LIFE.
- FAILURE TO COMPLY WITH THE PRECAUTIONS AND INSTRUCTIONS PROVIDED WITH THIS HEATER, CAN RESULT IN DEATH, SERIOUS INJURY AND PROPERTY LOSS OR DAMAGE FROM HAZARDS OF FIRE, EXPLOSION, BURN, AND/OR ELECTRICAL SHOCK.
- ONLY PERSONS WHO CAN UNDERSTAND AND FOLLOW THE INSTRUCTIONS SHOULD USE OR SERVICE THIS HEATER. IF YOU NEED ASSISTANCE OR REQUIRE HEATER INFORMATION SUCH AS AN INSTRUCTION MANUAL, LABELS, ETC. CONTACT FANMASTER.
- DO NOT STORE OR USE GASOLINE, PETROL OR ANY OTHER FLAMMABLE OR COMBUSTIBLE VAPORS AND LIQUIDS IN THE VICINITY OF THIS HEATER.
- FIRE, BURN, INHALATION, AND EXPLOSION HAZARD. KEEP SOLID COMBUSTIBLES, SUCH AS BUILDING MATERIALS, PAPER OR CARDBOARD, A SAFE DISTANCE AWAY FROM THE HEATER AS RECOMMENDED BY THE INSTRUCTIONS. NEVER USE THE HEATER IN SPACES WHICH DO OR MAY CONTAIN VOLATILE OR AIRBORNE COMBUSTIBLES, OR PRODUCTS SUCH AS GASOLINE, SOLVENTS, PAINT THINNER, DUST PARTICLES OR UNKNOWN CHEMICALS
- NOT FOR DOMESTIC OR RECREATIONAL VEHICLE USE
- THE ELECTRICAL SYSTEM TO WHICH THE APPLIANCE IS CONNECTED MUST COMPLY WITH LOCAL REGULATIONS. A RESIDUAL-CURRENT DEVICE (RCD) MUST BE INSTALLED.
- UNPLUG THE APPLIANCE BEFORE PERFORMING ANY MAINTENANCE OPERATIONS.
- ALWAYS CHECK THE POWER CABLE BEFORE USING THE APPLIANCE. IT MUST NOT BE BENT, TAUT, STRETCHED, CRUSHED OR ANY WAY DAMAGED.
- IF THE POWER CORD AND/OR PLUG IS DAMAGED, IT MUST BE REPLACED BY FANMASTER, A SERVICE AGENT OR A QUALIFIED PERSONS.
- DO NOT COVER THE FAN HEATER
- THE FRONT OUTLET IS VERY HOT DURING OPERATION. DO NOT TOUCH! BURN DANGER.
- DO NOT LEAVE THE HEATER UNATTENDED WHEN IN USE.
- NEVER USE THE HEATER WITH WET HANDS OR WHEN EITHER THE HEATER OR THE POWER CABLE IS WET.
- CHILDREN SHOULD BE SUPERVISED TO ENSURE THAT THEY DO NOT PLAY WITH THE HEATER.
- THE HEATER IS NOT INTENDED FOR USE BY PERSONS (INCLUDING CHILDREN) WITH REDUCED PHYSICAL, SENSORY OR MENTAL CAPABILITIES, OR LACK OF EXPERIENCE & KNOWLEDGE.

# 2. PRODUCT DESCRIPTION & SPECIFICATIONS

## PRODUCT DESCRIPTION

Industrial electric Quartz radiant heater.

## SPECIFICATIONS

MODEL	ICH2P	ICHW
Type	Pedestal	Wall
Heat Output	2000W 3,824BTU	2000W 3,824BTU
Control settings	3 Heat Settings 1 x 650W 2 x 1300W 3 x 2000W	3 Heat Settings 1 x 650W 2 x 1300W 3 x 2000W
Voltage (V/Hz)	240V/50Hz	240V/50Hz
Area Covered m2	up to 12	up to 12
Current Rating (A)	8.3	8.3
Net Weight (kg)	2.6	9.65

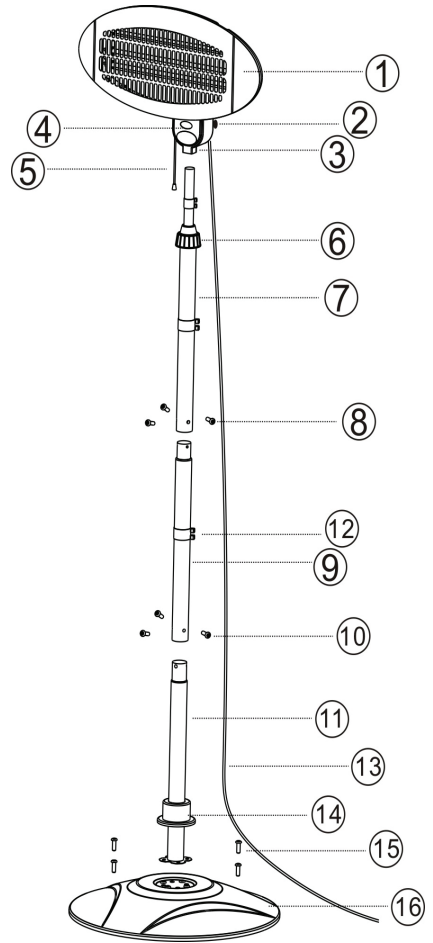
## SAFETY DEVICES

This heater has the following protection devices:

- **Tilt Switch** - this will automatically turn the heater off if it is not in the appropriate operating position, fallen over on its front or side.
- **Self-Resetting Thermostat** - this will automatically disconnect the power to the heater at a pre-set overheat temperature.

# 3. GETTING TO KNOW YOUR HEATER

1	HEATER/ELEMENT HEAD
2	KNOB
3	HEATER BODY
4	SETTING INDICATOR
5	PULL SWITCH
6	ADJUSTMENT HEIGHT KNOB
7	TOP POST
8	3 x M5 X 6 SCREW
9	MIDDLE POST
10	3 x M5 X 6 SCREW
11	LOWER POST
12	CORD CLAMP
13	POWER CORD
14	BASE COVER
15	4 x M6 X 30 SCREW
16	BASE

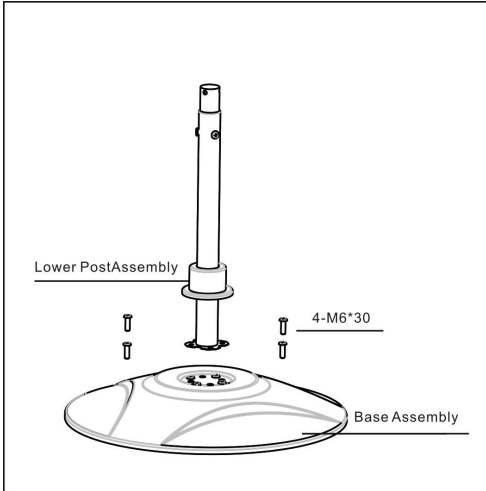


# 4. ASSEMBLING & OPERATING INSTRUCTIONS

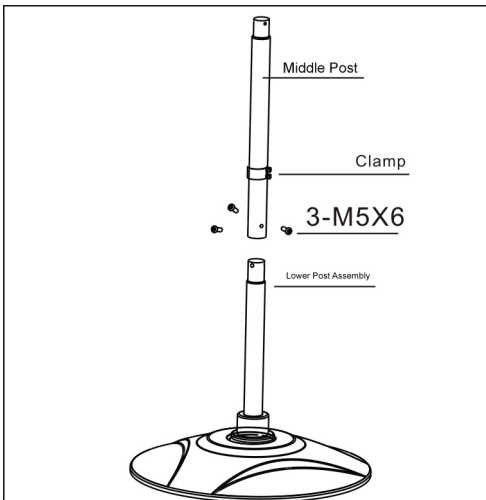
Remove the heater from the carton. If the heater is damaged, please contact Fanmaster or where you purchased the heater from.

## How to assemble (ICH2P)

1. Insert Lower Post (11) into the Base (16). Fix it by screwing 4 x M6X30 screws (remove from base). Insert Cord Clamp (12) over Lower Post (11).

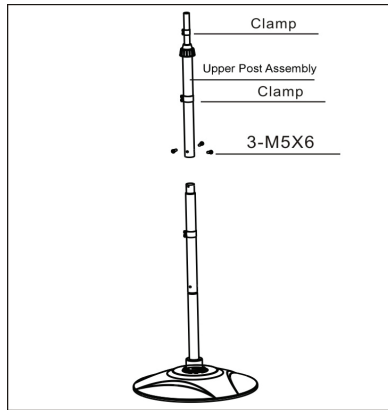


2. Connect the Middle Post (9) to the Lower Post (11) and fix with 3 x M5X6 screws.

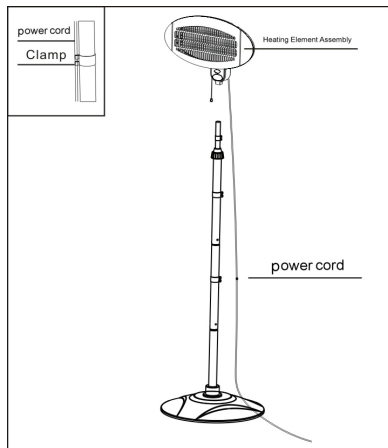


# 4. ASSEMBLING & OPERATING INSTRUCTIONS

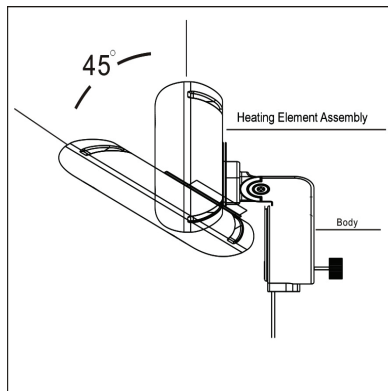
3. Connect the Top Post (7) to the Middle Post (9) and fix with 3 x M5X6 screws.



4. Connect the Heater Head (1) to the Top Post (7) and tighten by rotating the Knob (2). Place the power cord (13) to the cord clamp (12).



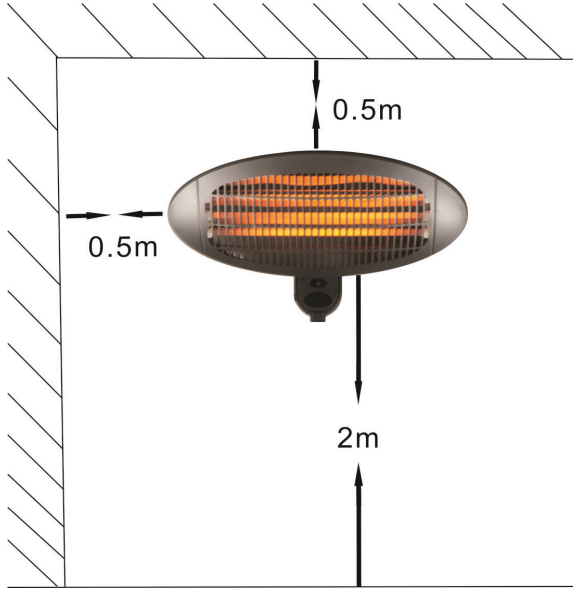
5. Adjust heater head angle as required 0°~45°.



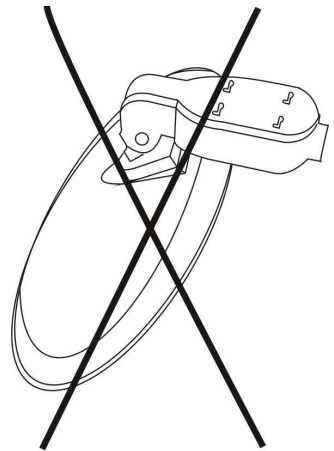
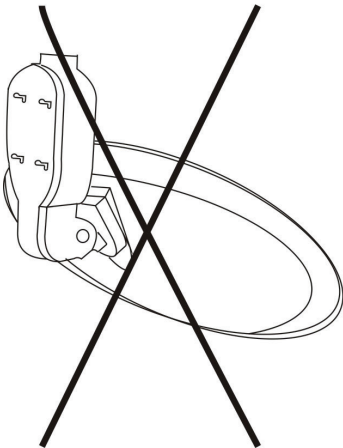
# 4. ASSEMBLING & OPERATING INSTRUCTIONS

## Wall Mount Installation (ICH2W)

1. Please ensure the distance between the top of heater & ceiling should be more than 0.5m. The distance between side of the heater should be more than 0.5m and the distance between the bottom of the heater to the floor should be more than 2m.



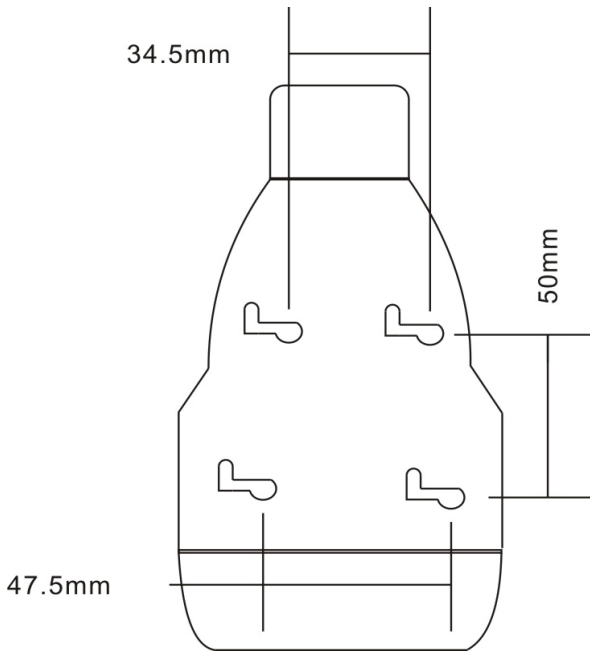
2. Do not install the heater upside down, on the side or off the ceiling.



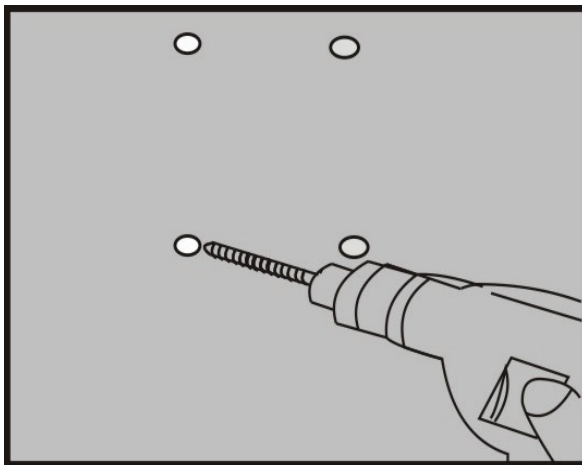


# 4. ASSEMBLING & OPERATING INSTRUCTIONS

1. Mark out corresponding holes on the wall as per the mounting bracket on the back of the heater. **All 4 holes must be marked & drilled.**

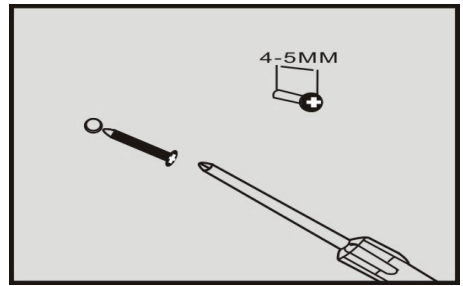
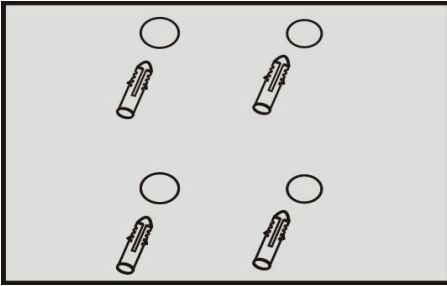


2. Use an 8mm drill bit to make the holes in the wall, minimum 35mm depth. Please use the correct drill bit for the wall material you are drilling into.

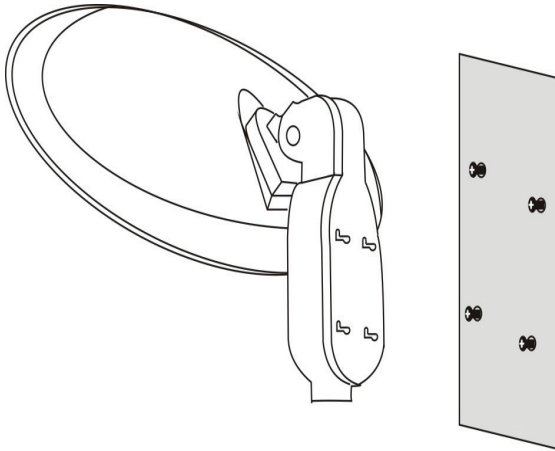


# 4. ASSEMBLING & OPERATING INSTRUCTIONS

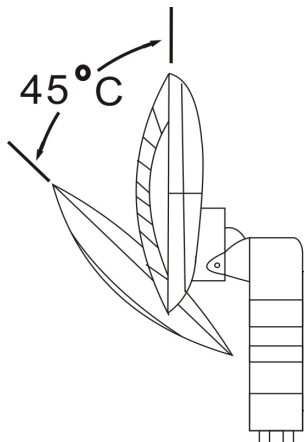
3. Ensure you use the correct fixings for the wall material you are mounting the heater to. Fasten the fixings and allow for 4-5mm overhang.



4. Align the back of heater bracket holes, move the product to the left into the safety holes.



5. Adjust heater head angle as required 0°~45°.



## 4. ASSEMBLING & OPERATING INSTRUCTIONS

- Position the heater so it stands upright & is on a firm surface (ICH2P).
- Connect the plug to the relevant power source.
- Switch heater on by means of the Pull Switch
  - Position 0 - OFF
  - Position 1: 650W (lower power)
  - Position 2: 1300W (intermediate power)
  - Position 3: 2000W (full power)
- DO NOT TURN THE HEATER OFF FROM THE POWER SOURCE

## 5. CLEANING, MAINTENANCE & STORAGE

- Before starting any maintenance task, shut down, unplug and let the heater cool down for at least 15 minutes.
- Do not attempt any electrical repair yourself. If the heater needs service or repair, contact a qualified persons.
- When cleaning, make sure that water does not enter the unit.
- Do not open the enclosure to clean the inner parts. Do not spray water into the heater.
- Never use solvents, gasoline, toluene and similar aggressive chemicals to clean the heater.

# 7. TROUBLESHOOTING

PROBLEM	CAUSE	SOLUTION
<b>The heater does not operate, even when it is plugged in &amp; the switch, thermostat is ON</b>	The plug is loose, bad connection	Disconnect the plug, check the connection of the plug & socket. Try another socket
<b>Element is not glowing</b>	Power or Voltage Surge	Replace Element

# 8. WARRANTY

Any claim under this warranty must be made within 12 months of the date of purchase of the product. To make a claim under the warranty, take the product (with proof of purchase) to the store where you purchased the product or go to <https://www.fanmaster.com.au/warranty-claims-returns>.

This warranty is given by Fanmaster Pty Ltd  
ABN: 45 353 934 457  
Unit 1/6-8 Yalgar Rd, KIRRAWEE NSW 2232  
P: 1300 900 345  
E: [warranties@fanmaster.com.au](mailto:warranties@fanmaster.com.au)

This warranty is provided in addition to other rights and remedies you have under law: Our goods come with guarantees which cannot be excluded under the Australian Consumer Law. You are entitled to replacement or refund for a major failure and to compensation for other reasonably foreseeable loss or damage. You are also entitled to have the goods repaired or replaced if the goods fail to be of acceptable quality and the failure does not amount to a major failure.

Exclusions: This warranty does not cover:

- Any defects caused by an accident, misuse, abuse, improper installation or operation, lack of reasonable care, unauthorized modification, loss of parts, tampering or attempted repair by a person not authorized by the distributor.
- Any product that has not been installed, operated or maintained to a satisfactory level.
- Any damage caused by improper power input or improper cable connection.







Fanmaster Pty Ltd | 1/6-8 Yalgar Road, KIRRAWEE NSW 2232  
1300 900 345 | sales@fanmaster.com.au | www.fanmaster.com.au



N11664  
MADE IN CHINA