

INDUSTRIAL MOBILE MISTING FAN 600MM



FEATURES

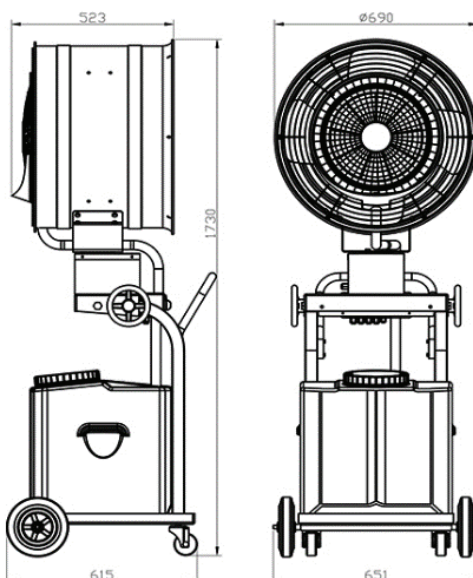
- Long lasting water tank up to 9 hours
- Portable on wheels
- Large airflow with greater effective distance
- 90° Oscillation for greater coverage
- Covers an area up to 80m²
- Adjustable mist control

APPLICATIONS

- Construction sites
- Agriculture
- Warehouses/Factories
- Outdoor Events
- Dust & waste control

The Fanmaster heavy duty Industrial Mobile Misting Fan uses a drum style axial fan which allows the mist to be distributed at a further distance up to 12 metres giving you better coverage. It uses a powerful 800w motor with functions such as an adjustable mist control switch, 90° oscillation and uses a 90L tank that can run up to 9 hours.

This Fanmaster heavy duty Industrial Mobile Misting Fan is ideal for dust & waste control, construction sites, farms, large open warehouses and outdoor events.



Model No	IMF600
Airflow (L/s) / (m ³ / h)	2666 / 160
dBa	<70
Motor (W)	800
Voltage	220~240
Plug Connection	3 Pin 10amp
Effective Area (m ²)	50~80
Tank Size (L)	90
Consumption (L/h)	10
Fan Speed	1
Weight (kg)	
Dimensions (mm) WxDxH	690x523x1730



FANMASTER
COOLING HEATING VENTILATION EXTRACTION

