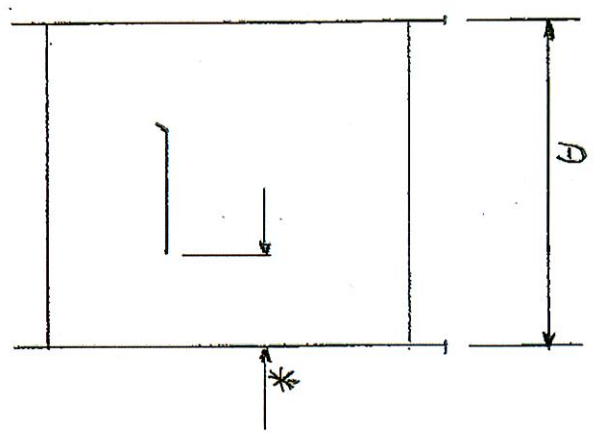
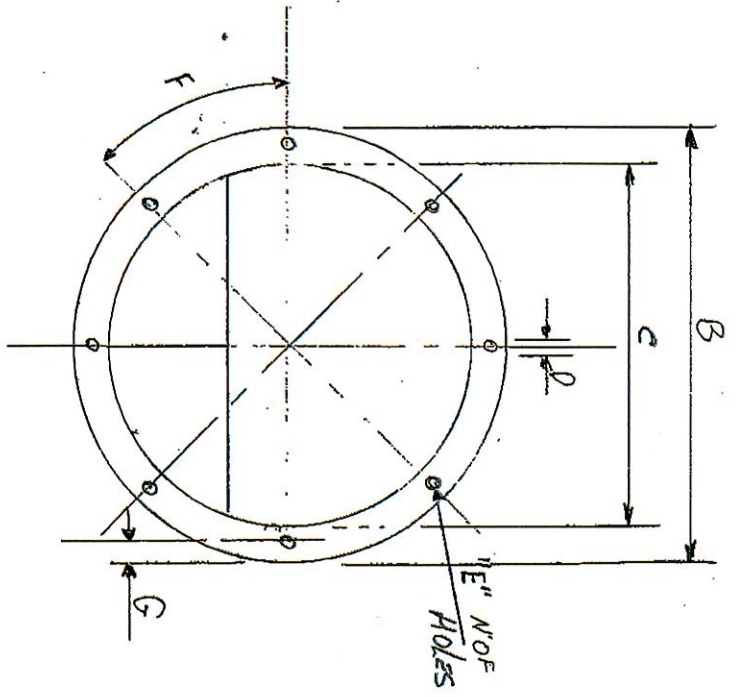


AXIAL FLOW FANS



AXIAL FLOW FANS
 * THIS SIZE DEPENDS ON THE
 SIZE OF THE MOTOR.

DRUM Ø	BLADE Ø	A	B	C	Ø	E	F Hole Inches	L
300	290	400	360	300	8	8	25	
400	380	400	500	400	8	8	25	
500	480	500	600	500	10	8	25	
600	580	500	700	600	11	8	25	
800	780	500	900	800	11	12	25	

Drawing n° 6