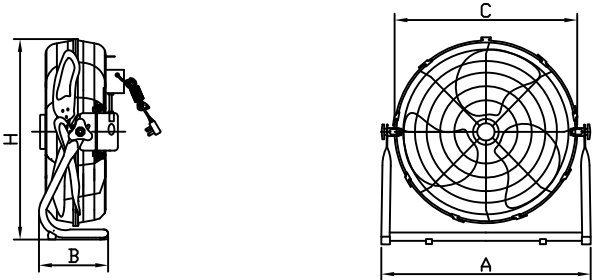
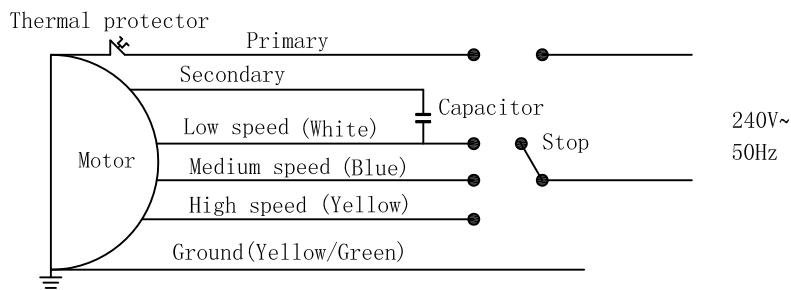


## FEATURE AND APPLICATION

This powerful electric fan of desk-and stand- type of FE series is optimizedly designed and elaborately produced with 3 steps speed control function. The air delivery angle can be adjusted up- and downwards at will in a range more than 90°. In the motor, a thermal protector is integrated which can operate repeatedly. The fan is using the low-noise bearings and the fine-mesh guards. The fan has such characteristics as safe and smooth running with abound air volume, low noise, low temperature rise, low power consumption, stabile median point and easily movable. It is an ideal electric appliance used for air ventilation and cooling in factories, mining areas, vehicle repair shops and other public places.

## WIRING DRAWING

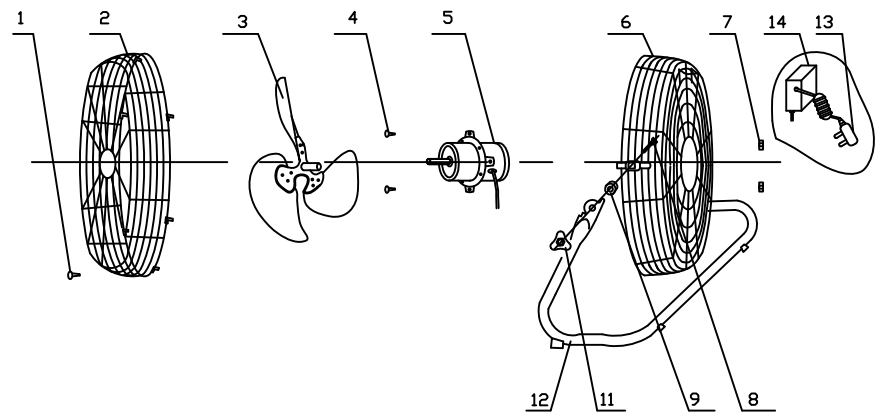


## Technical Parameter and Dimensions

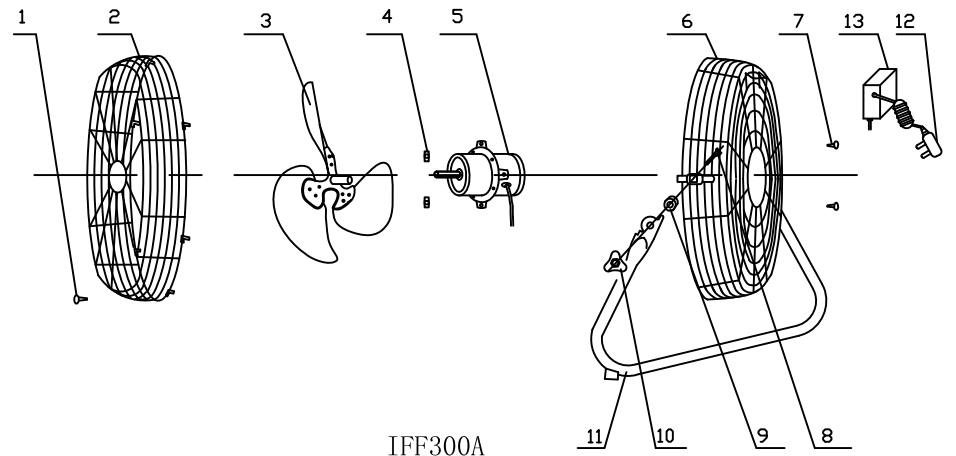
Type	Stage 1				Stage 2				Stage 3				Dimensions mm			
	Power W	Speed rpm	Noise dB	Air volume m <sup>3</sup> /min	Power W	Speed rpm	Noise dB	Air volume m <sup>3</sup> /min	Power W	Speed rpm	Noise dB	Air volume m <sup>3</sup> /min	A	B	C	H
IFF300A	31	950	55	27	35	1150	58	33	50	1400	60	41	390	200	360	405
IFF400U	67	950	58	48	80	1150	60	58	100	1400	62	72	520	205	460	490
IFF450U	70	950	63	57	90	1150	66	69	110	1400	69	84	530	195	495	530
IFF500U	90	950	65	65	115	1150	68	78	150	1400	71	96	620	215	560	565

- >90° Adjustmet of the pitch angle
- 3 steps speed control function
- the product with the dissimilarity of power and frequency for choice

## Assembly scheme



IFF400U、IFF450U、IFF500U



IFF300A

- 1、Screw
- 2、Front guard
- 3、Blade
- 4、Screw
- 5、Motor
- 6、Rear guard
- 7、Nut
- 8、Square-necs bole
- 9、Rubber washer
- 10、Nut
- 11、Support
- 12、Power liner
- 13、Box

## OPERATING INSTRUCTION

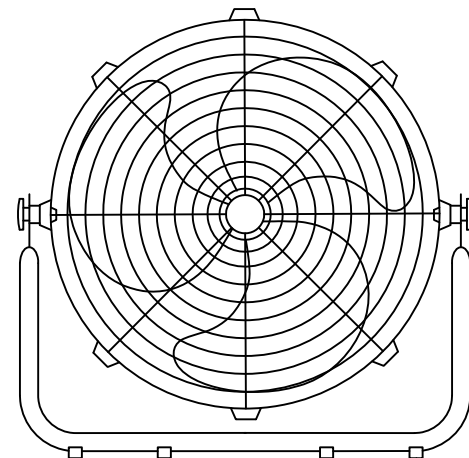
- 1、The fan must use the voltage spexified on the name plate. It isn't suitable to use the fan in the too moist or corrosive surrounding.
- 2、The fan has 3 speed stages which can be by rotating the speed control switch on the fan. The numbers 0, 1, 2 and 3 on the indicator are respectively OFF, slow, medium and fast stages.
- 3、Adjustment of the pitch angle : Loosen the adjusting nut and set the guards to form a pitch (attitude) angle as You required and tighten the nut.
- 4、Don't use the fan in moist or corrosive condition.
- 5、Bare-body children and elder should not be in the wind for a long time.
- 6、To be careful when the fan is used near the opened window, curtain portiere or foliage.
- 7、Please attend to our remark: "INDOOR USE ONLY!" ☞<sub>ta</sub>40°C

## CAUTIONS

- 1、To avoid causing an accident, don't touch the fan blades with Your hand or a hard matter before the fan is stopped.
- 2、Don't lug the power lead outwards forcedly to avoid that the lead comes off.
- 3、Don't replace the power lead yourself. To ensure the safety, the power lead must be replaced by special repair service authorized by us or send to us if the lead is absolutely to be replaced.
- 4、To clean the fan, first cut off the power, remove the guards and fan blades, wash the dirt away with a soft cloth wetted by soap water or alcohol and wipe with a dry cloth. Don't use gasoline or any liquid etching the plastics and painting. Pay attention to that the fan blades shouldn't be impacted and the angle of blades shouldn't be changed.
- 5、Type Y attachment - Damaged supply cords to be replaced by the manufacturer, service agent or similarly qualified person to avoid hazard.
- 6、This appliance is not intended for use by persons (including children) with reduced physical, sensory or mental capabilities, or lack of experience and knowledge, unless they have been given supervision or instruction concerning use of the appliance by a person responsible for their safety. children should be supervised to ensure that they do not play with the appliance.



## GROUND POWERFUL FAN



Please read this manual carefully before operating the fan