

INDUSTRIAL GAL LOUVERED FAN

Description:

Primarily for use on large industrial sites or agricultural buildings, these fans are designed to move very large volumes of air through their 3- phase 415v motors. The industrial Gal Louvered Fan is belt driven, ensuring quieter operation than other Louvered Fans. Manufactured from galvonised steel these fans are built to last and come with automatic louvers which open and close according to operation. The Industrial Galvonised Louvered Fan can be used to exhaust heat, smoke, dust, or provide ventilation for livestock. The Industrial Gal Louvered Fan is an essential tool to achieve a sound air circulation solution.

Features:

- ⊕ Built to last
- ⊕ Extracts large volumes of air
- ⊕ Louvers stop reverse air flow and weather when not on
- ⊕ Easy to install
- ⊕ Quiet operation



Specifications:

Model #	Diameter	Motor	Air Flow	Weight
IGLF950	950mm	750W/415v	9000L/s	55kg
IGLF1250	1250mm	1100W/415	12500L/s	85kg

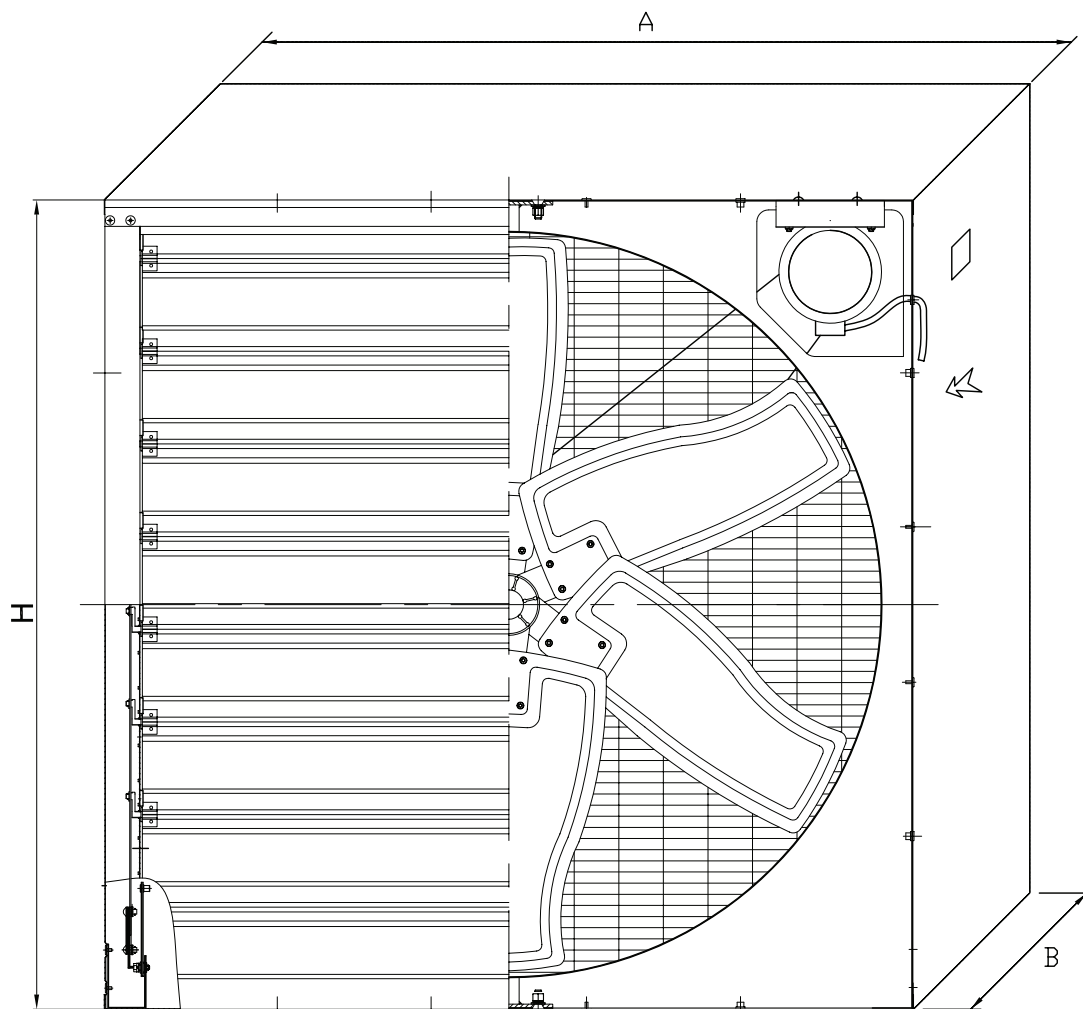
Packing Dimensions

IGLF950	1060 x 400 x 1060mm
IGLF1250	1380 x 400 x 1380mm



INDUSTRIAL GAL LOUVERED FAN

Cross Section:



Model	Speed (r/min)	Volume (m ³ /h)	Noise dB (A)	Power (kW)	Voltage (V)	Weight (kg)	Dimension A x B x H (mm)
IGLF950	450	32000	60	0.75	415	55	1060 x 400 x 1060
IGLF1250	450	44500	65	1.1	415	85	1380 x 400 x 1380



FANMASTER
COOLING HEATING VENTILATION DISTRIBUTION