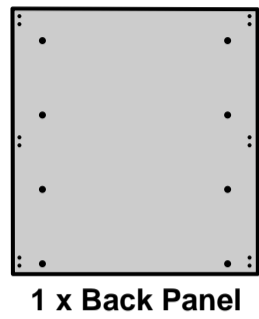


1/2 Cabinet Storage Unit

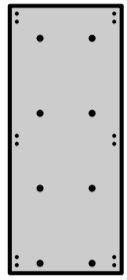
ASSEMBLY INSTRUCTIONS

The only tools you require are a **MALLET, ADJUSTABLE SPANNER & SCREWDRIVER**

LIST OF PARTS



1 x Back Panel



2 x Side Panels



8 x Keyhole Uprights



4 x Long Shelf Supports



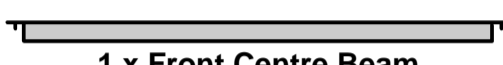
4 x Short Shelf Supports



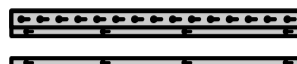
2 x Long Internal Shelf Supports



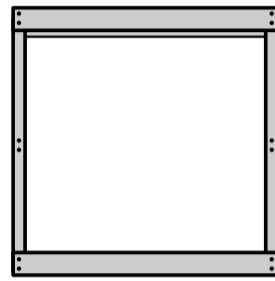
4 x Short Internal Shelf Supports



1 x Front Centre Beam



6 x Shelf Adjusting Uprights
(3 x Left & 3 x Right)



1 x Front Frame

NOTE:
2 x Shelves are slightly smaller. These are for inside the Cabinet only.

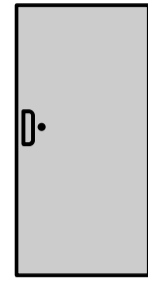
5 x 9mm MDF Shelves



1 x Locking Arms/ Lock Assembly



1 x Left Door



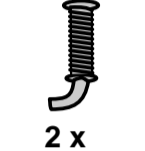
1 x Right Door



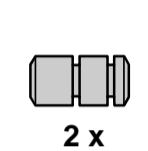
8 x Plastic Feet



2 x Door Pivot Pins



2 x Spring Rods

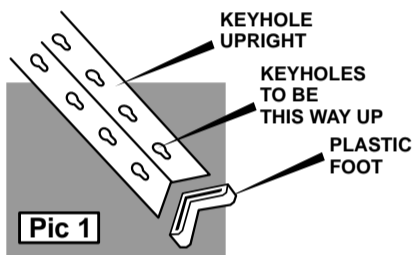


2 x Leg Joiners

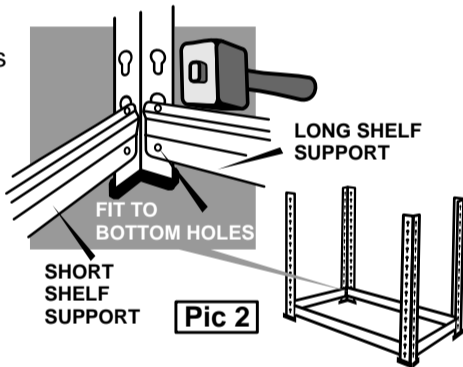
WARNING

• **CHOKING HAZARD** - This product contains small parts. • Handle cut metal edges carefully

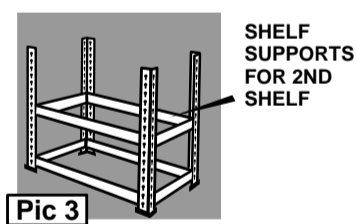
- 1 Attach a Plastic Foot to one end of four of the Keyhole Uprights. **NOTE:** Ensure keyholes are the correct way up. (Pic 1)



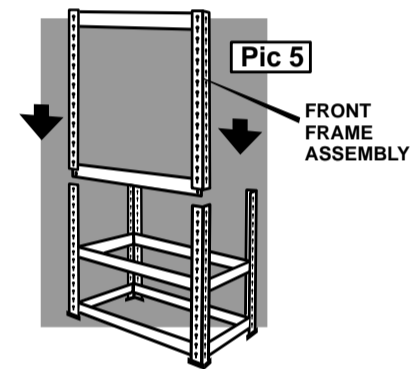
- 2 Fit two Short Shelf Supports and two Long Shelf Supports to the bottom holes (for maximum strength) of four Keyhole Uprights by slotting the Keylock Pins in the Supports into the Keyholes in the Uprights and tapping firmly with a mallet to seat in place. (Pic 2)



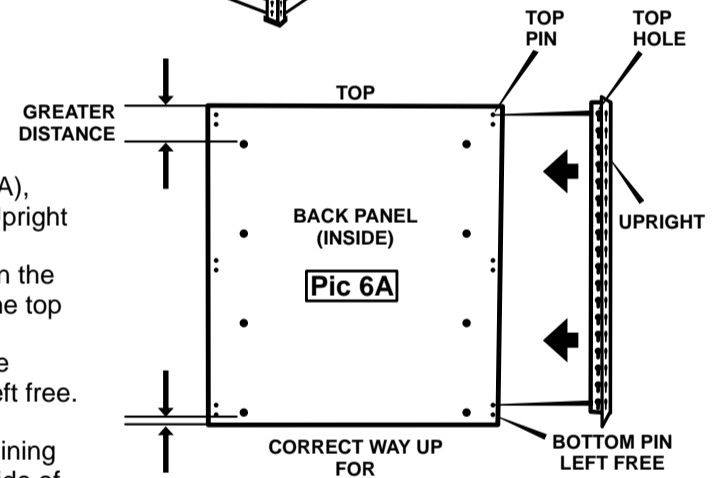
- 3 Fit Long and Short Shelf Supports where you want the second Shelf to be positioned. These Supports must not be in the top two holes of the Keyhole Upright. (Pic 3)
(We have shelf position recommendations listed below).



- 5 Attach the Front Frame Assembly to the lower section of the Unit by locating the bottom two Keylock Pins on the Frame into the Keyholes on the tops of the front Uprights. (Pic 5)

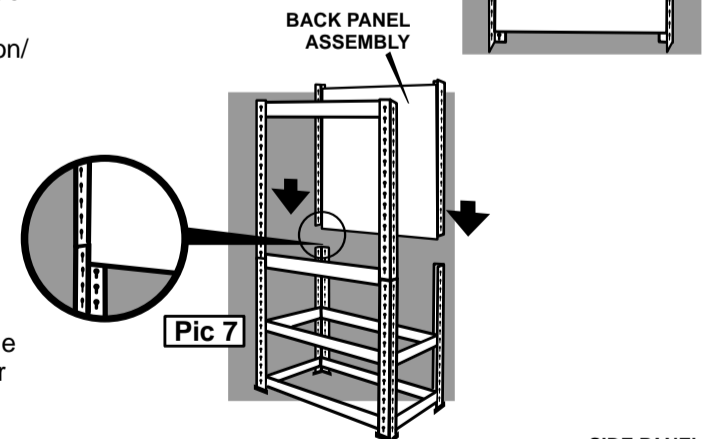


- 6 Ensuring the Back Panel is the correct way up (Pic 6A), attach one Keyhole Upright to one side of it. **NOTE:** The top Pin on the Back Panel fits into the top hole in the Upright. The bottom Pin on the Back Panel is to be left free.



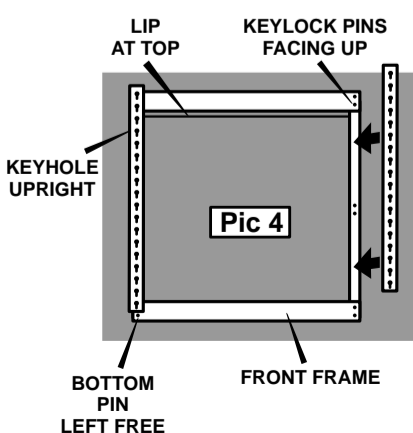
- Then attach the remaining Upright to the other side of the Back Panel. (Pic 6B)

- 7 Fit Back Panel onto lower section of shelf unit. (Pic 7)
IMPORTANT: A second person/ pair of hands is a must during this step to support the Front Frame Assembly and Back Panel Assembly once they are attached to the lower section. **NOTE:** Make sure the bottom Keylock Pins of the Back Panel are correctly seated into the Keyholes on the top of the Uprights of the lower section.

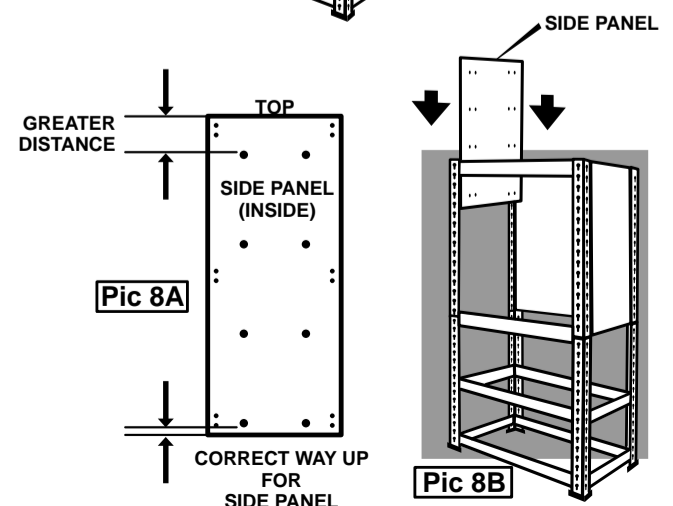


- 4 **Front Frame Assembly:**

Lay the Front Frame flat with the Keylock Pins facing upward and the lip of the Frame at the top. Attach one Keyhole Upright to one side of the Frame by inserting the Keylock Pins on the Frame into the Keyholes on the Upright. **NOTE:** Ensure Keyholes are the correct way up and the bottom Keylock Pin on the Frame is to be left free. (Pic 4)
Then attach a second Upright to the other side.



- 8 Lower one of the Side Panels into position, ensuring it is the correct way up (Pic 8A). Again, this step is made easier with a second person. **NOTE:** Make sure the bottom Keylock Pins of the Side Panel are correctly seated into the Keyholes on the top of the Uprights of the lower section.



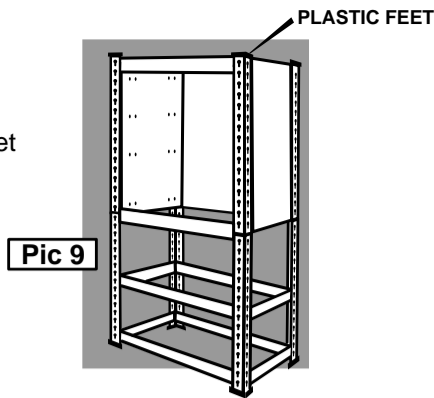
Repeat for other Side Panel. (Pic 8B)

SHELF POSITION RECOMMENDATIONS

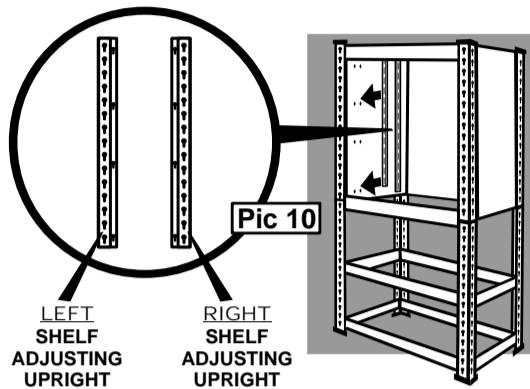
10
NUMBER OF HOLES ON KEYHOLE UPRIGHT BETWEEN SHELF SUPPORTS

9
10

- 9 Fit the four remain plastic feet to the tops of the Uprights. (Pic 9)

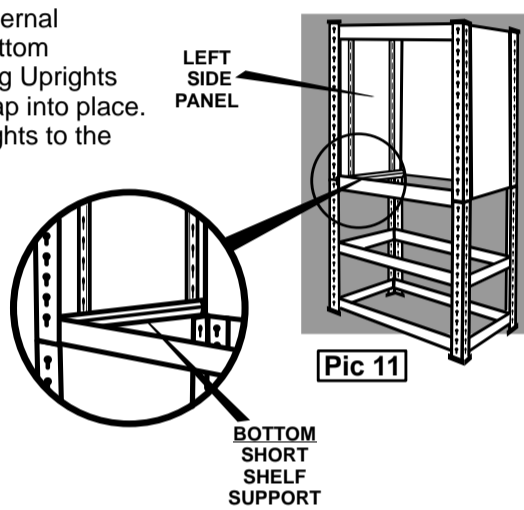


- 10 Fit one LEFT and one Right Shelf Adjusting Upright to the Keylock Pins on the inside of the LEFT Side Panel. **NOTE:** they do not need to be tapped into place yet. **IMPORTANT:** Ensure the LEFT Upright is positioned on the LEFT side of the Panel and the RIGHT Upright is on the RIGHT side of the Panel. (Pic 10)



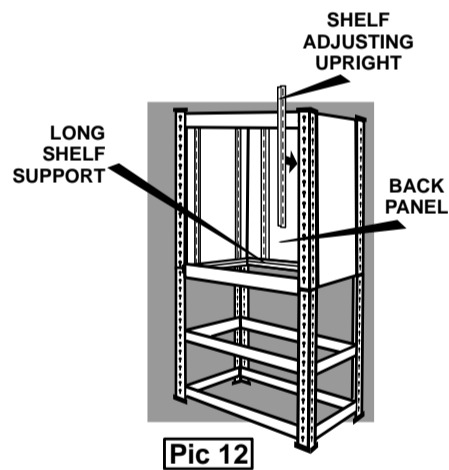
Repeat for right Side Panel.

- 11 Attach one of the BOTTOM Internal Short Shelf Supports to the bottom two holes of the Shelf Adjusting Uprights on the LEFT Side Panel and tap into place. (This will also secure the Uprights to the Side Panel at the same time). **IMPORTANT:** This Support does **NOT** have the recess in it. (Pic 11)

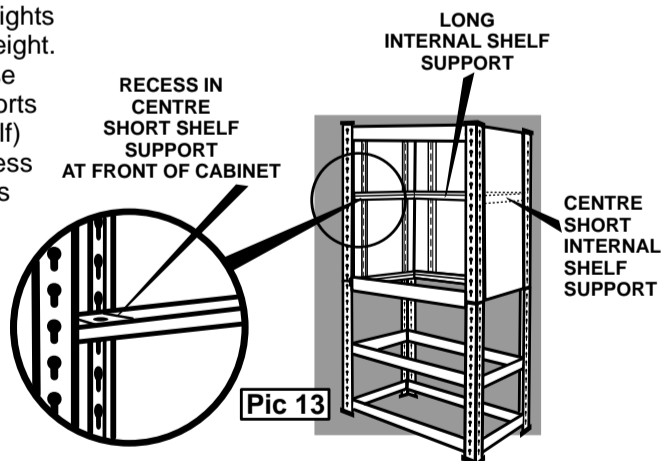


Repeat for the RIGHT side BOTTOM Internal Short Shelf Support.

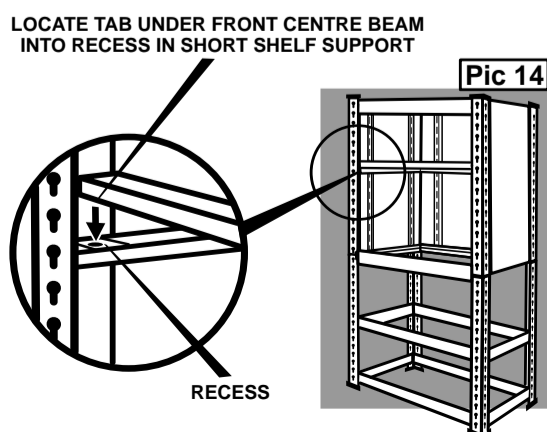
- 12 Attach two Shelf Adjusting Uprights and one Internal Long Shelf Support to the inside of the Back Panel, following the same procedures as steps 10 and 11. (Pic 12)



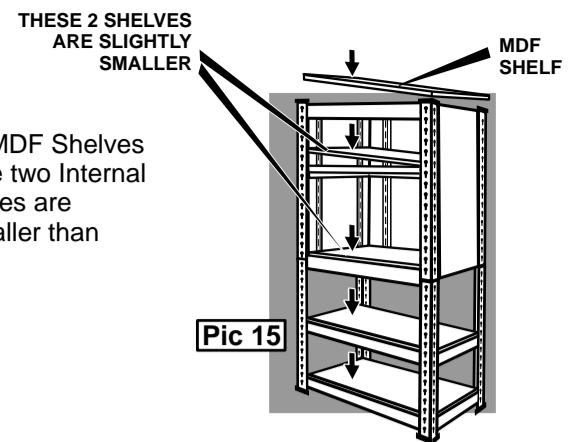
- 13 Fit the remaining (Centre) Short and Long Internal Shelf Supports to the Shelf Adjusting Uprights at your preferred height. **IMPORTANT:** These Centre Short Supports (for the Centre Shelf) **WILL** have the recess in them. This recess is to be positioned at the **FRONT** of the Cabinet. (Pic 13)



- 14 Attach the Front Centre Beam to the two Centre Internal Short Shelf Supports by locating the tabs on the underside of the Front Centre Beam into the recesses on the tops of the Shelf Supports. (Pic 14)

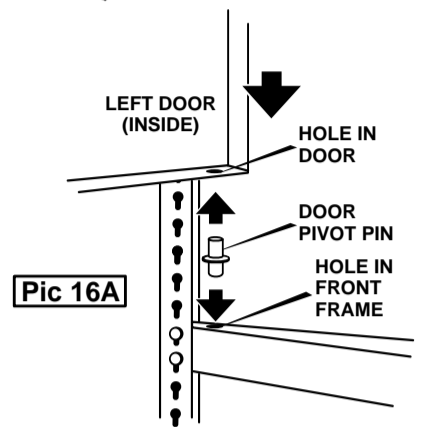


- 15 Fit all five MDF Shelves. **NOTE:** The two Internal MDF Shelves are slightly smaller than the rest. (Pic 15)

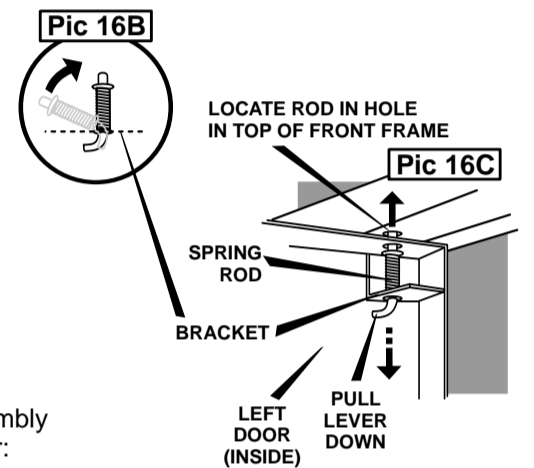


- 16 **Fitting Doors:**

LEFT Door (without hole for Lock) - Insert one Door Pivot Pin into the hole in the bottom of the Front Frame. Locate the hole in the bottom of the Door into this Pin. (Pic 16A) Then, to secure the top of the Door, hook the Spring Rod into the hole in the bracket at the top of the Door. (Pic 16B) Locate the Spring Rod into the hole in the top of the Front Frame by pulling the lever on the Spring Rod to retract the spring. Locate the hole and let the spring go. (Pic 16C)



Repeat for RIGHT Door.



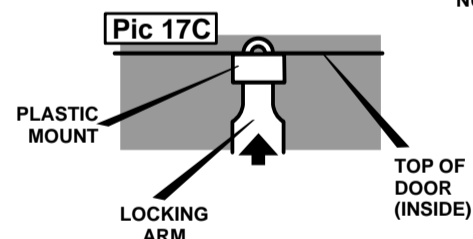
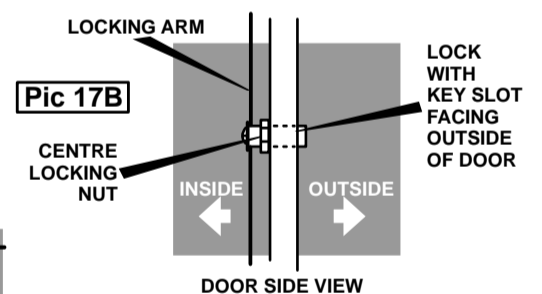
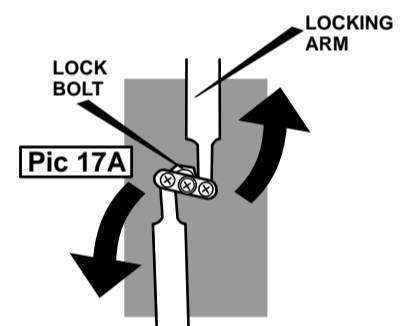
- 17 **Doors:** Fit the Locking Arms/Lock Assembly to the inside of the RIGHT Door:

A Open out the Locking Arms as shown. (Pic 17A).

B Insert the Lock Bolt through the hole in the Door (with the Key Slot facing the OUTSIDE of the Door) and secure the Centre Locking Nut using a spanner and a screwdriver. (Pic 17B)

C Insert the top and bottom Arms into the Plastic Mounts located at the top and bottom of the Door. (Pic 17C)

D Once Lock and Locking Arms are assembled, check to ensure Locking Arms operate correctly when turning key in Lock.



Congratulations. Your Cabinet/Shelf Unit is now complete.

HINTS:

- Secure the Unit to a wall
- Place heavier items on the lower Shelves.
- You can secure your Unit to other Shelving Units using joiners supplied with the Units. See details below.

Joining More Than One Unit Together

Leg Joiners attached in these positions on **FRONT/REAR** Uprights as shown

NOTE: Leg Joiners can **ONLY** be fitted to bottom section of Cabinet

