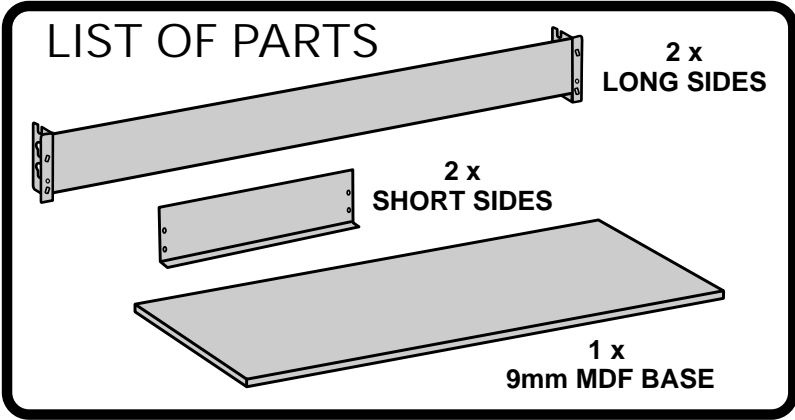
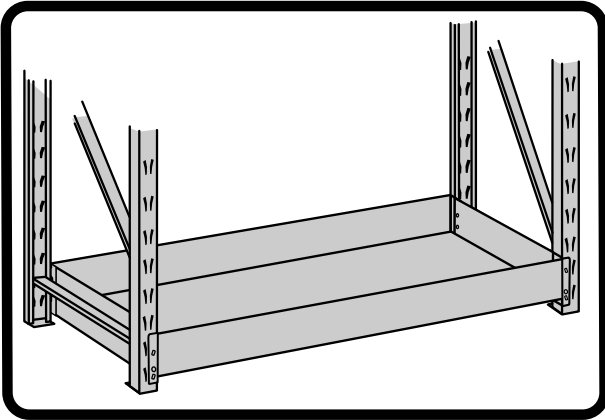


Tray Shelf Kit

ASSEMBLY INSTRUCTIONS

The only tool you require is a MALLET



COMPLETED TRAY SHELF KIT
ATTACHED TO UPRIGHTS.
TRAY SHELF CAN BE INSTALLED
AT ANY HEIGHT ON
THE UPRIGHTS.

ASSEMBLE IN ORDER SHOWN

